

STANDART MINI SLIDING SYSTEM

ALUMINIUM PROFILES

&
ACCESSORIES

MO 19

MS 03.30

MS 04.01

4+12+4

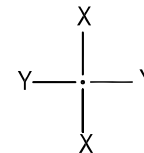


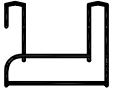


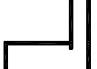



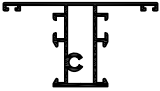
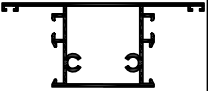
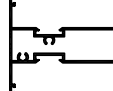

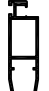
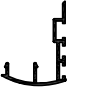


20008



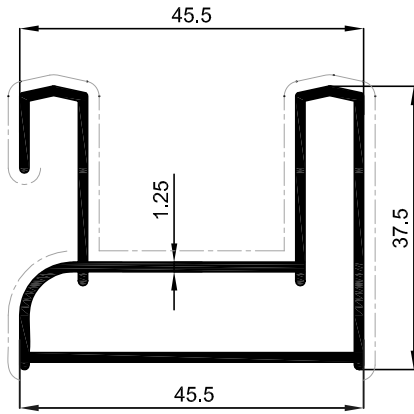
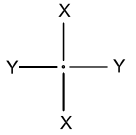
STANDART MINI SLIDING SYSTEM

2008



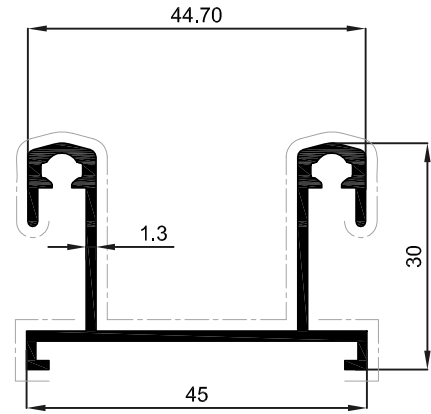
| NO | PROFILE CODE | PROFILE SECTION | NAME | Jx cm ⁴ | Jy cm ⁴ | WEIGHT (gr/mt) |
|----|--------------|---|----------------------------------|--------------------|--------------------|----------------|
| 1 | 1001 |  | FRAME PROFILE | 3,595 | 6,730 | 707 |
| 2 | 1002 |  | FRAME PROFILE | 1,985 | 5,123 | 549 |
| 3 | 1003 |  | FRAME PROFILE | 4,523 | 1,274 | 332 |
| 4 | 1004 |  | FRAME PROFILE | 1,503 | 4,051 | 541 |
| 5 | 1011 |  | SASH PROFILE | 3,344 | 7,765 | 717 |
| 6 | 1012 |  | SASH PROFILE | 3,443 | 8,649 | 778 |
| 7 | 1013 |  | SASH PROFILE | 3,377 | 8,821 | 755 |
| 8 | 1021 |  | MULLION PROFILE | 4,959 | 5,576 | 786 |
| 9 | 1022 |  | MULLION PROFILE | 7,143 | 1,558 | 1027 |
| 10 | 1023 |  | MULLION PROFILE | 6,960 | 2,322 | 1079 |
| 11 | 1024 |  | MULLION PROFILE | 2,969 | 6,037 | 672 |
| 12 | 1031 |  | MOSQUITO PROFILE | 6,762 | 5,017 | 523 |
| 13 | 1041 |  | ADDITION FOR DOUBLE WING PROFILE | - | - | 303 |
| 14 | 1051 |  | DROP DEFENDER PROFILE | - | - | 308 |
| 15 | 1061 |  | COVER PROFILE | - | - | 74 |

THEORETICALLY WEIGHT OF NON-COLORED PROFILE



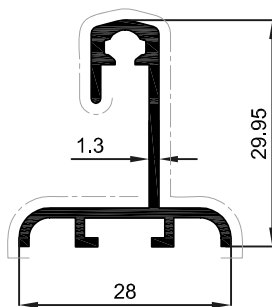
1001

Weight: 707 gr/m
 Jxx cm⁴ : 3,595
 Jyy cm⁴ : 6,730



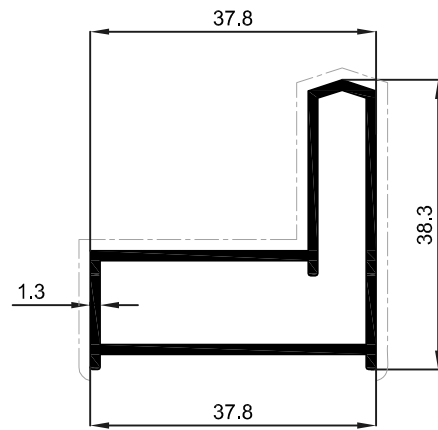
1002

Weight: 549 gr/m
 Jxx cm⁴ : 1,985
 Jyy cm⁴ : 5,123



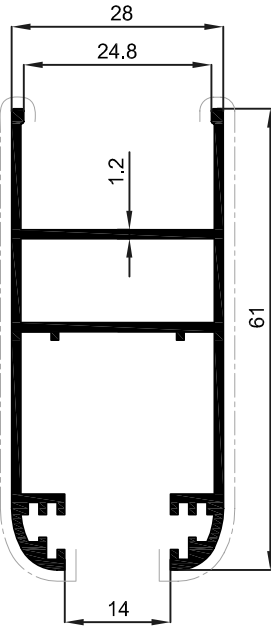
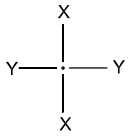
1003

Weight: 332 gr/m
 Jxx cm⁴ : 4,523
 Jyy cm⁴ : 1,274

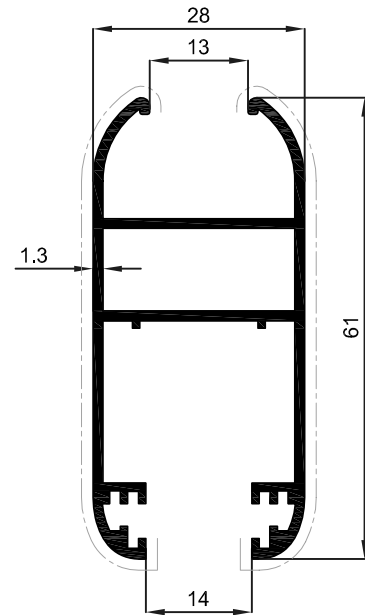


1004

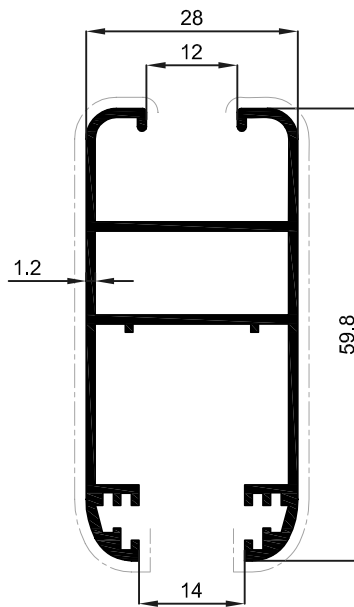
Weight: 541 gr/m
 Jxx cm⁴ : 1,503
 Jyy cm⁴ : 4,051



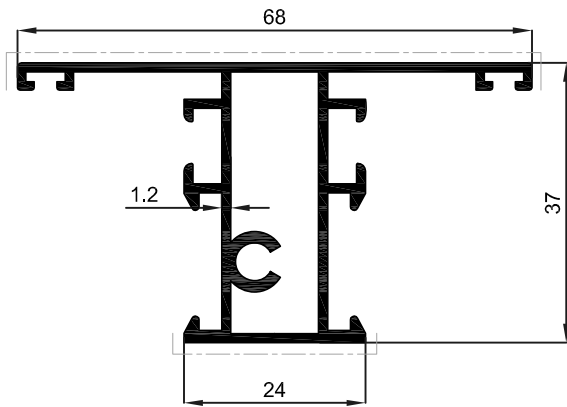
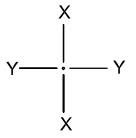
1011
 Weight: 717 gr/m
 Jxx cm4 : 3,344
 Jyy cm4 : 7.765



1012
 Weight: 778 gr/m
 Jxx cm4 : 3,443
 Jyy cm4 : 8,649

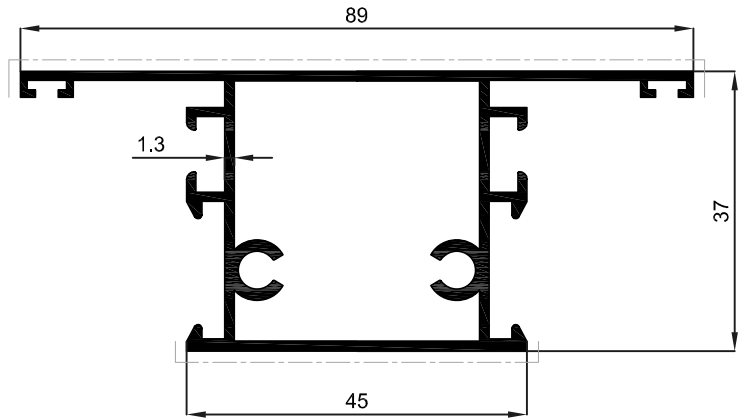


1013
 Weight: 755 gr/m
 Jxx cm4 : -
 Jyy cm4 : -



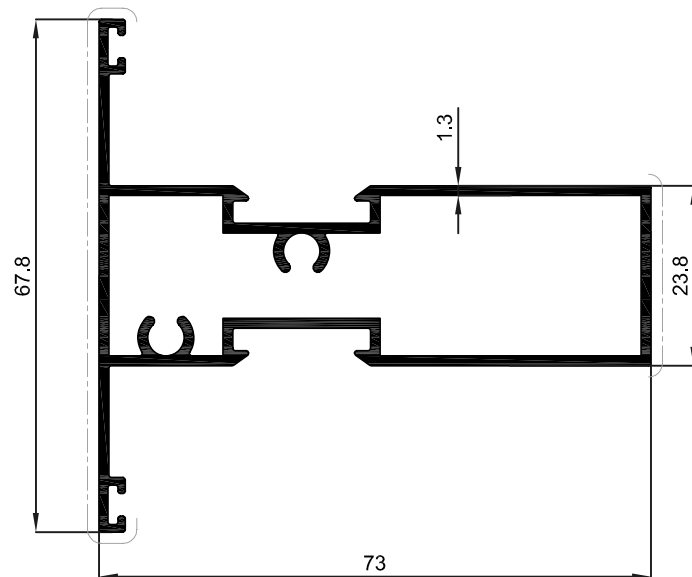
1021

Weight: 786 gr/m
 Jxx cm4 : 4,959
 Jyy cm4 : 5,576



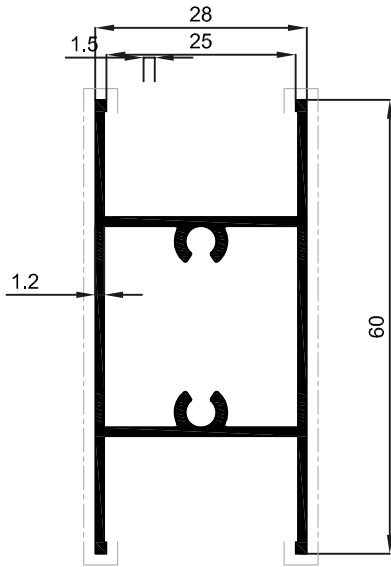
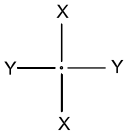
1022

Weight: 1027 gr/m
 Jxx cm4 : 7,143
 Jyy cm4 : 1,558



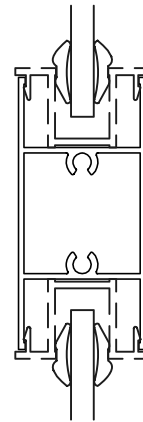
1023

Weight: 1079 gr/m
 Jxx cm4 : 6,960
 Jyy cm4 : 2,322

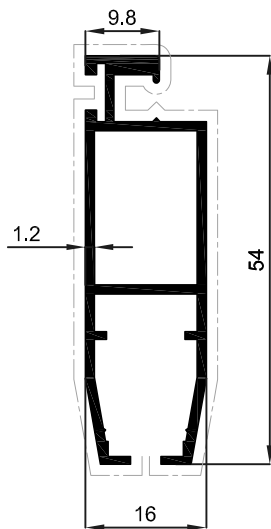


1024

Weight: 672 gr/m
 Jxx cm4 : 2,969
 Jyy cm4 : 6,037

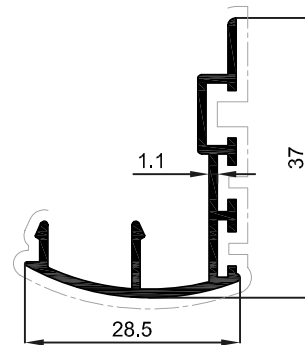


Scale
 1 : 2



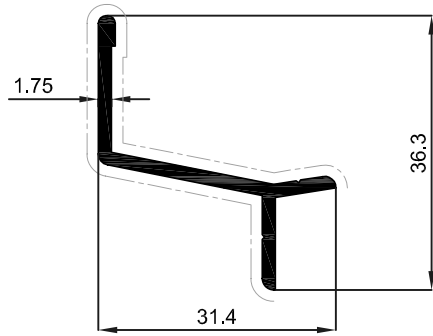
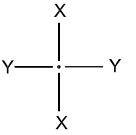
1031

Weight: 523 gr/m
 Jxx cm4 : 6,762
 Jyy cm4 : 5,017



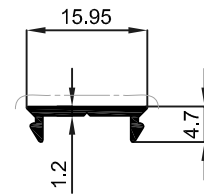
1041

Weight: 532 gr/m
 Jxx cm4 : -
 Jyy cm4 : -



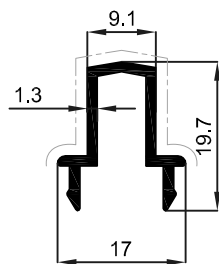
1051

Weight: 308 gr/m
 Jxx cm4 : -
 Jyy cm4 : -



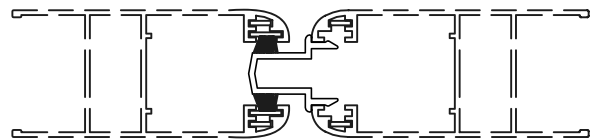
1061

Weight: 74 gr/m
 Jxx cm4 : -
 Jyy cm4 : -

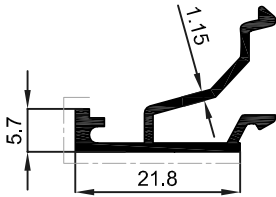
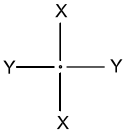


1071

Weight: 194 gr/m
 Jxx cm4 : -
 Jyy cm4 : -



Scale
 1 : 2

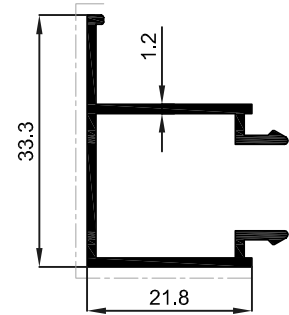


1100

Weight: 285 gr/m

Jxx cm4 : -

Jyy cm4 : -

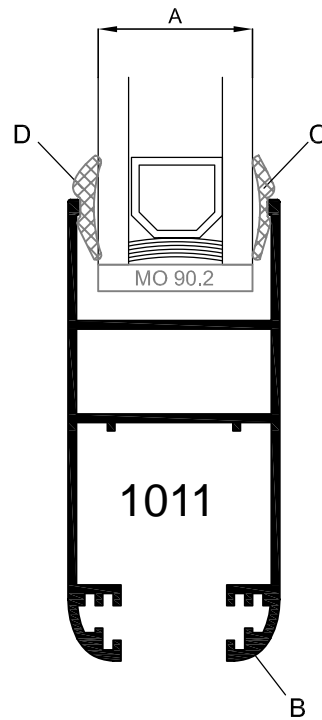


1091

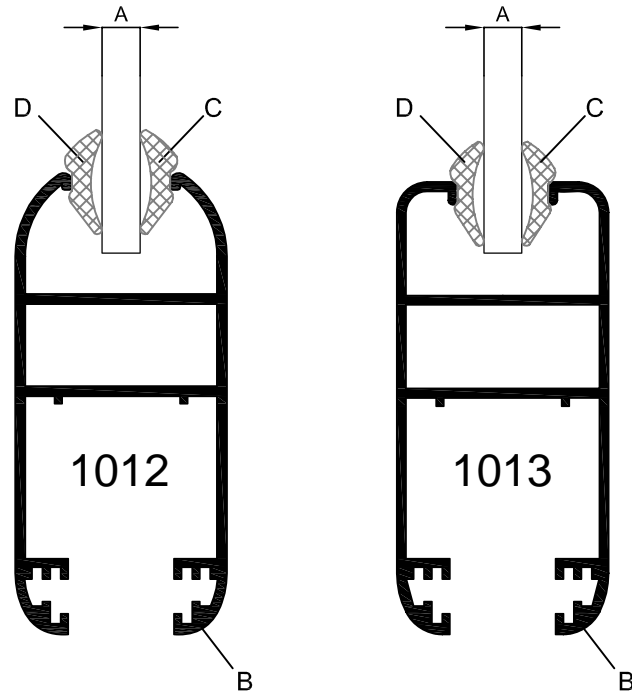
Weight: 325 gr/m

Jxx cm4 : -

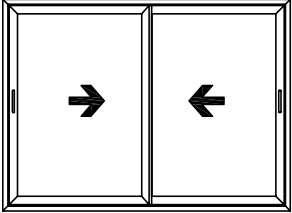
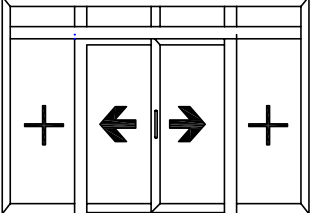
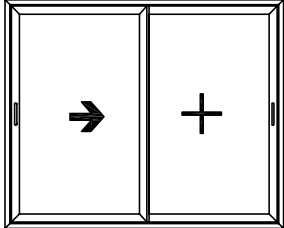
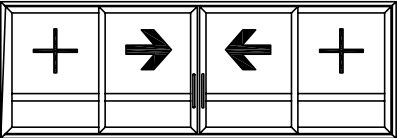
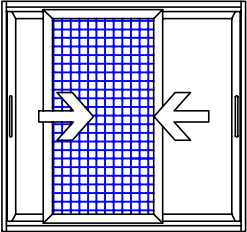
Jyy cm4 : -



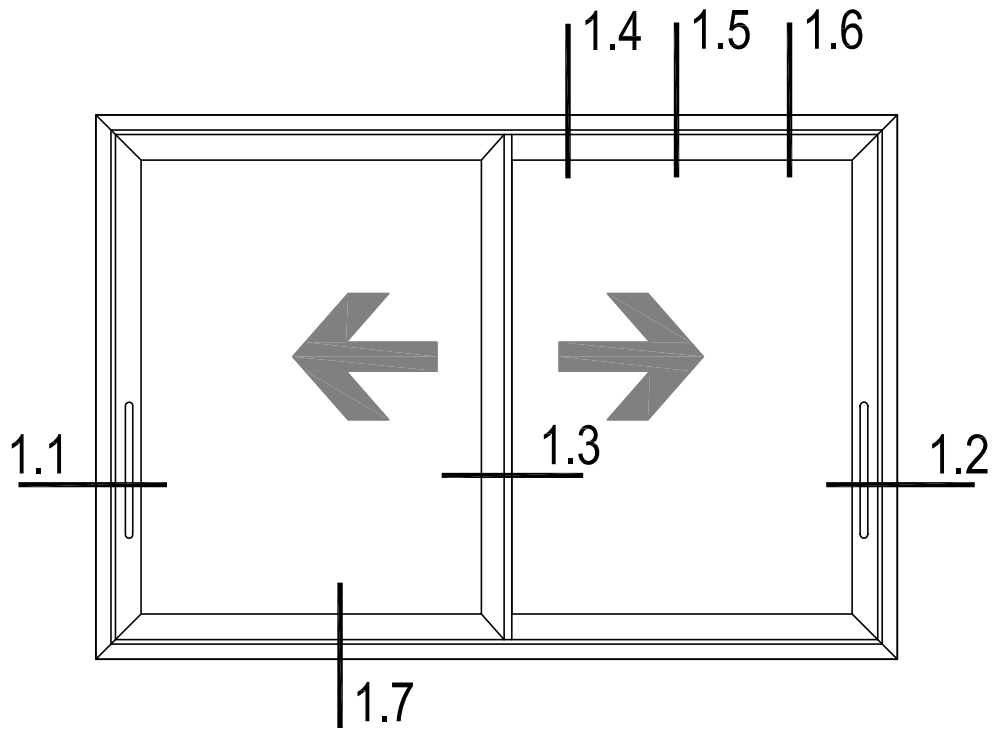
| A SIZE OF GLASS | GLASS COMBINATION | B PROFILE NO | C INNER GLASS CONGESSION | D OUTER GLASS CONGESSION |
|--------------------|----------------------|-----------------|--------------------------------|--------------------------------|
| 24,8 mm | (3 + 9 + 3) | 1011 | P5 mm | P5 mm |
| 24,8 mm | (4 + 9 + 3) | 1011 | P5 mm | P4 mm |
| 24,8 mm | (4 + 9 + 4) | 1011 | P4 mm | P4 mm |
| 24,8 mm | (3 + 9 + 3) | 1011 | P4 mm | P3 mm |
| 24,8 mm | (4 + 12 + 3) | 1011 | P3 mm | P3 mm |
| 24,8 mm | (4 + 12 + 4) | 1011 | P3 mm | P2 mm |
| 24,8 mm | (4 + 12 + 5) | 1011 | P2 mm | P2 mm |
| | | | | |
| | | | | |
| | | | | |
| | | | | |
| | | | | |

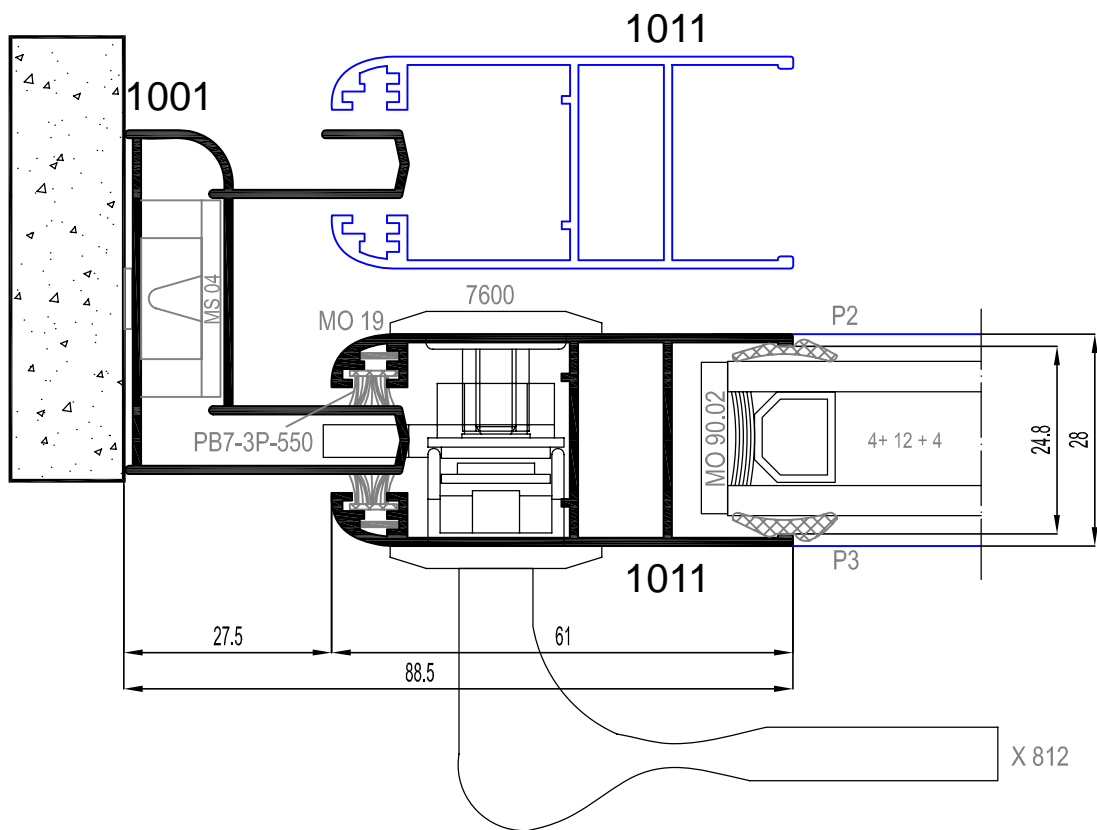
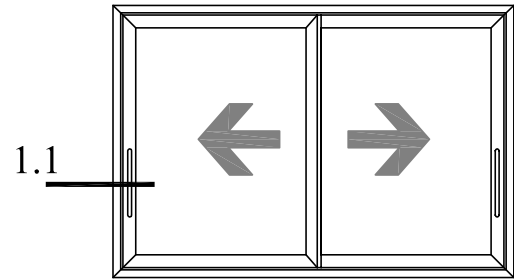


| A SIZE OF GLASS | GLASS COMBINATION | B PROFILE NO | C INNER GLASS CONGESSION | D OUTER GLASS CONGESSION |
|--------------------|----------------------|-----------------|--------------------------------|--------------------------------|
| 13 mm | 4 | 1012 | P5 mm | P4 mm |
| 13 mm | 5 | 1012 | P4 mm | P4 mm |
| 13 mm | 6 | 1012 | P4 mm | P3 mm |
| 13 mm | 7 | 1012 | P3 mm | P3 mm |
| 13 mm | 8 | 1012 | P3 mm | P2 mm |
| 13 mm | 9 | 1012 | P2 mm | P2 mm |
| 12 mm | 4 | 1013 | P4 mm | P4 mm |
| 12 mm | 5 | 1013 | P4 mm | P3 mm |
| 12 mm | 6 | 1013 | P3 mm | P3 mm |
| 12 mm | 7 | 1013 | P3 mm | P2 mm |
| 12 mm | 8 | 1013 | P2 mm | P2 mm |

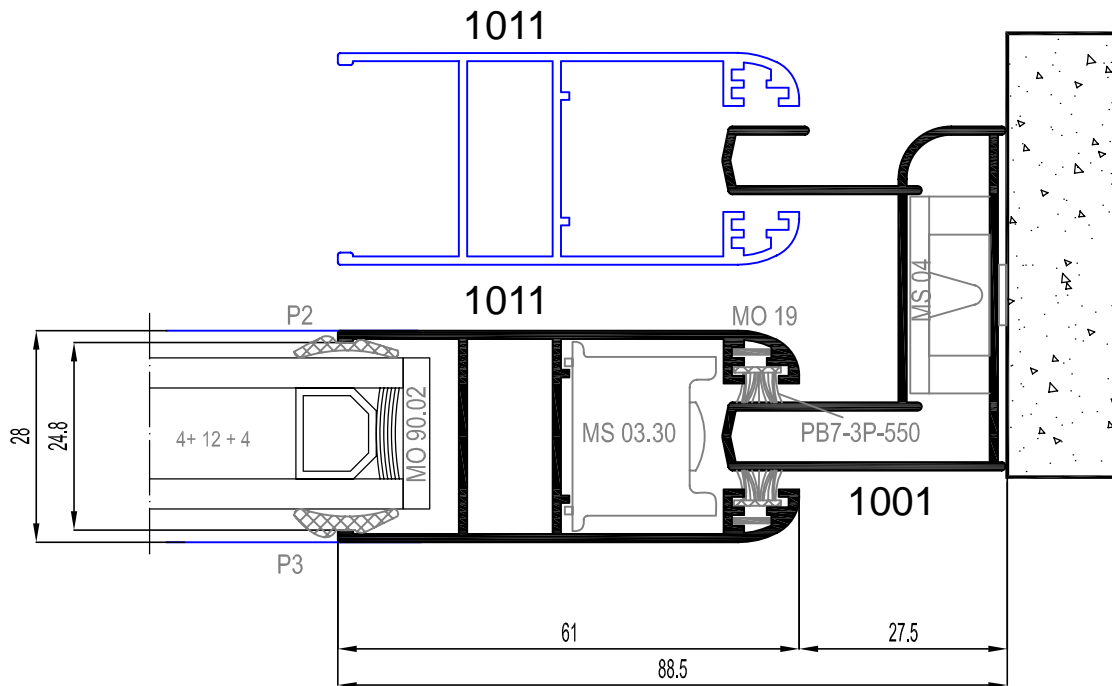
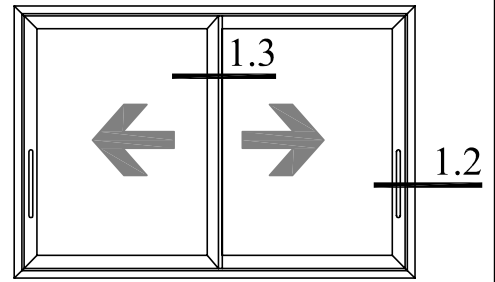
| TYPE | DESCRIPTION | TYPE | DESCRIPTION |
|--|----------------|---|--------------|
| 1  | SLIDING WINDOW | 5  | SLIDING DOOR |
| 2  | SLIDING WINDOW | | |
| 3  | SLIDING WINDOW | | |
| 4  | SLIDING WINDOW | | |

1

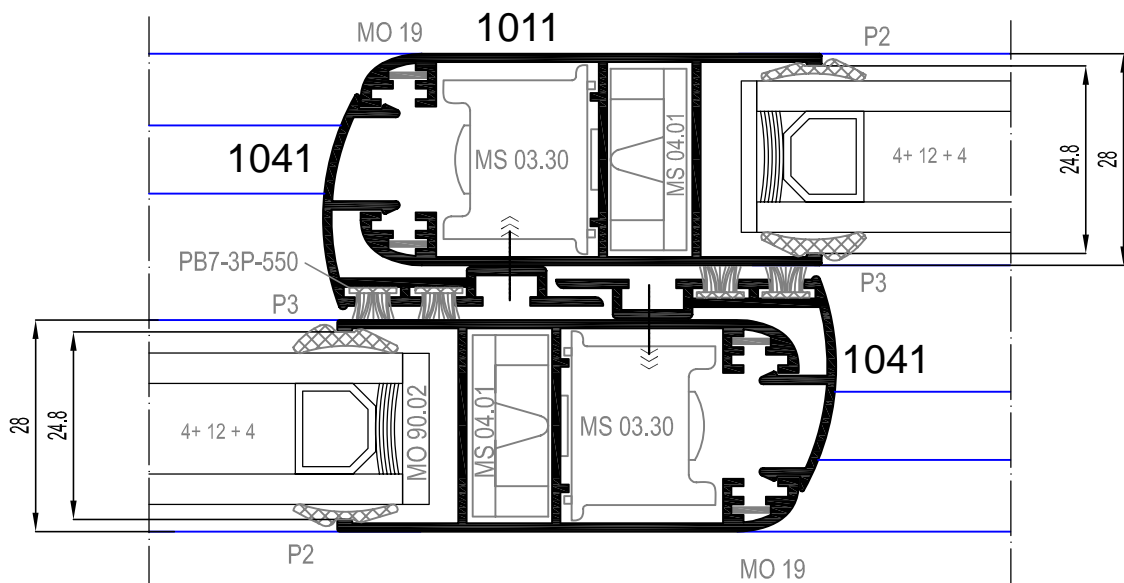




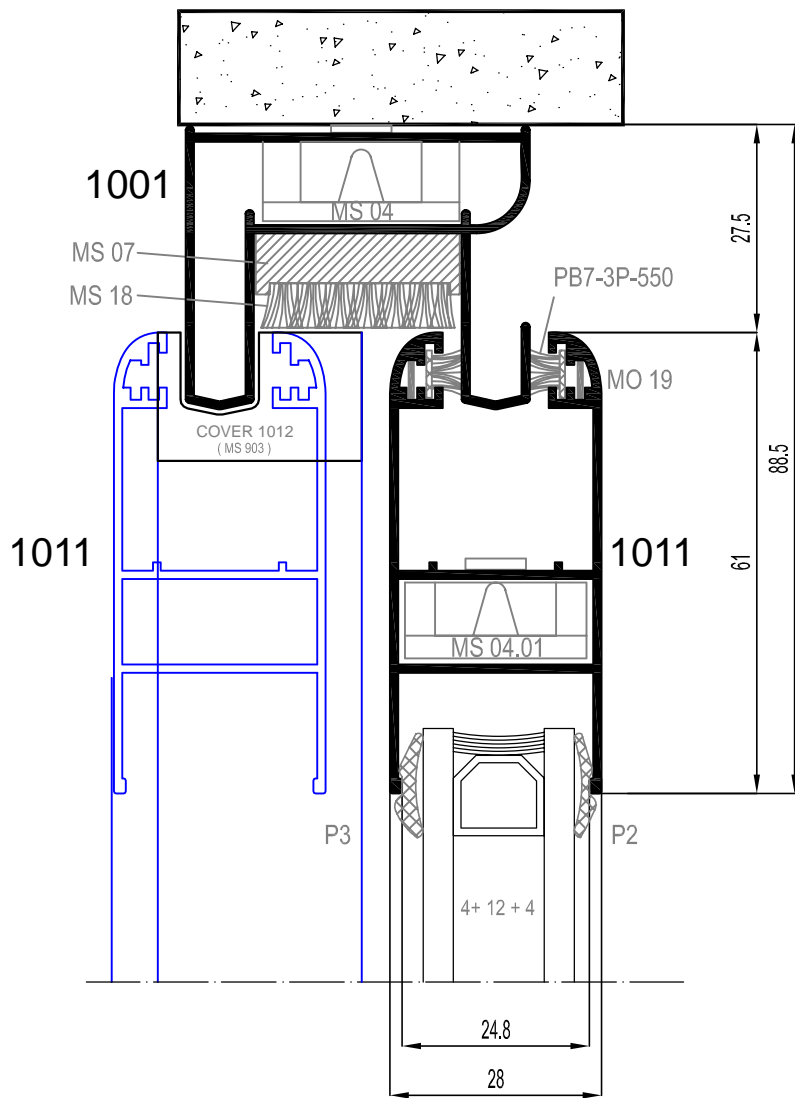
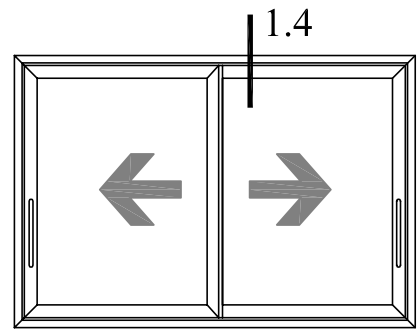
1.1 DETAILS



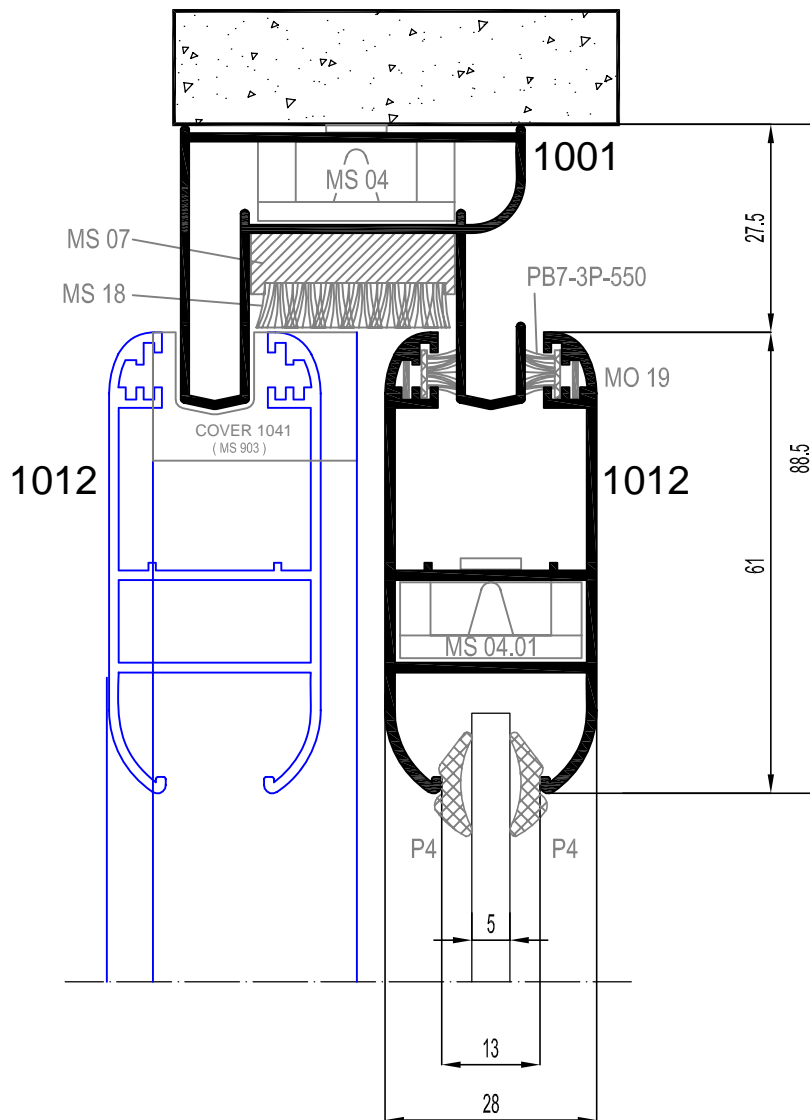
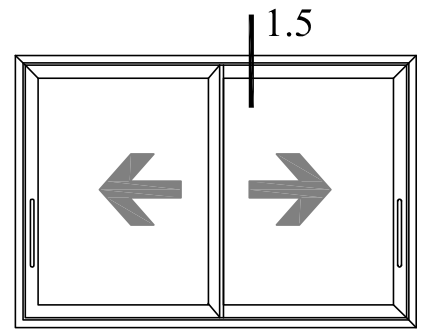
1.2 DETAILS



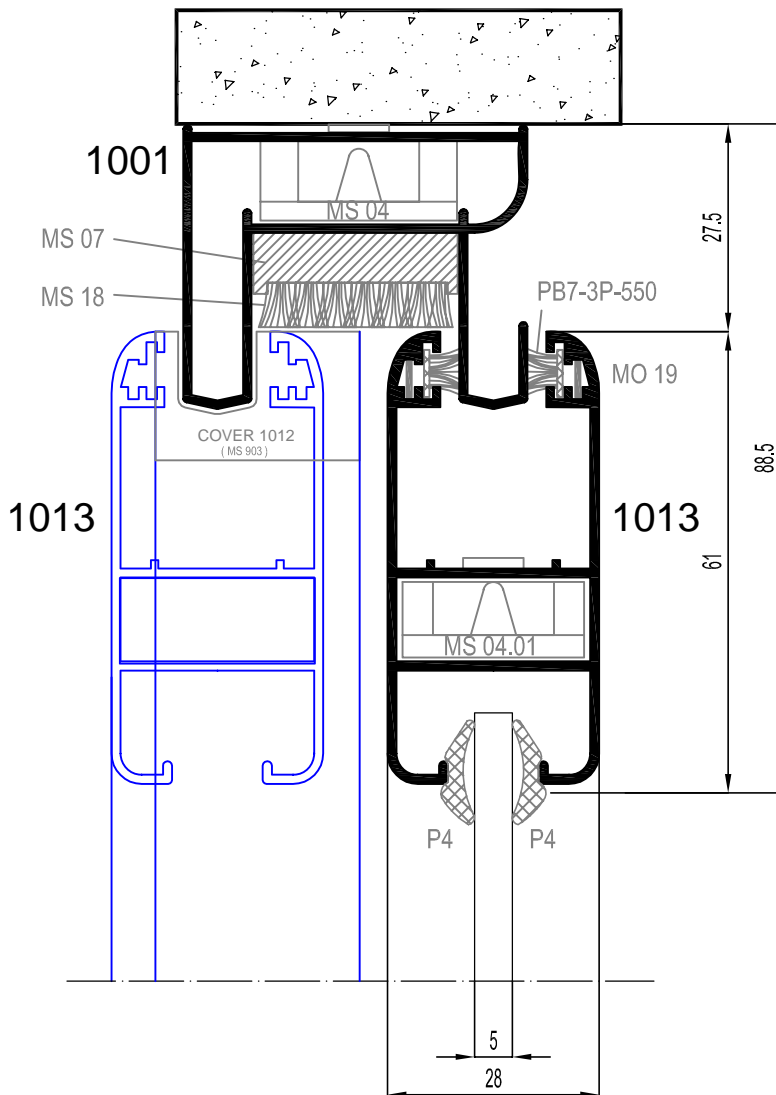
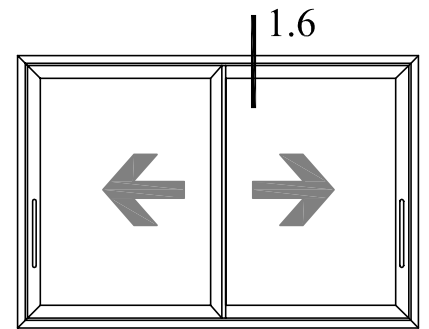
1.3 DETAILS



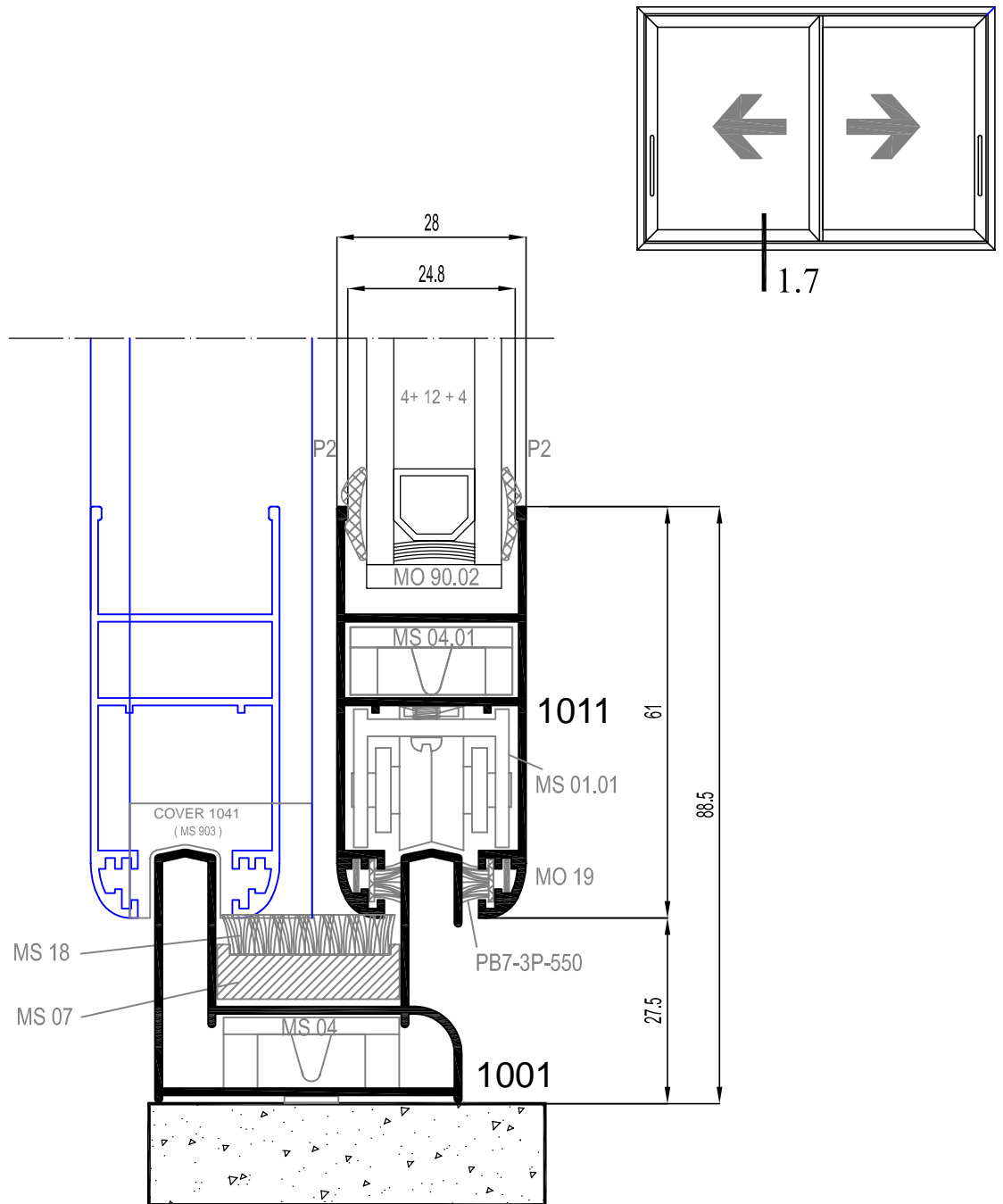
1.4 DETAILS



1.5 DETAILS

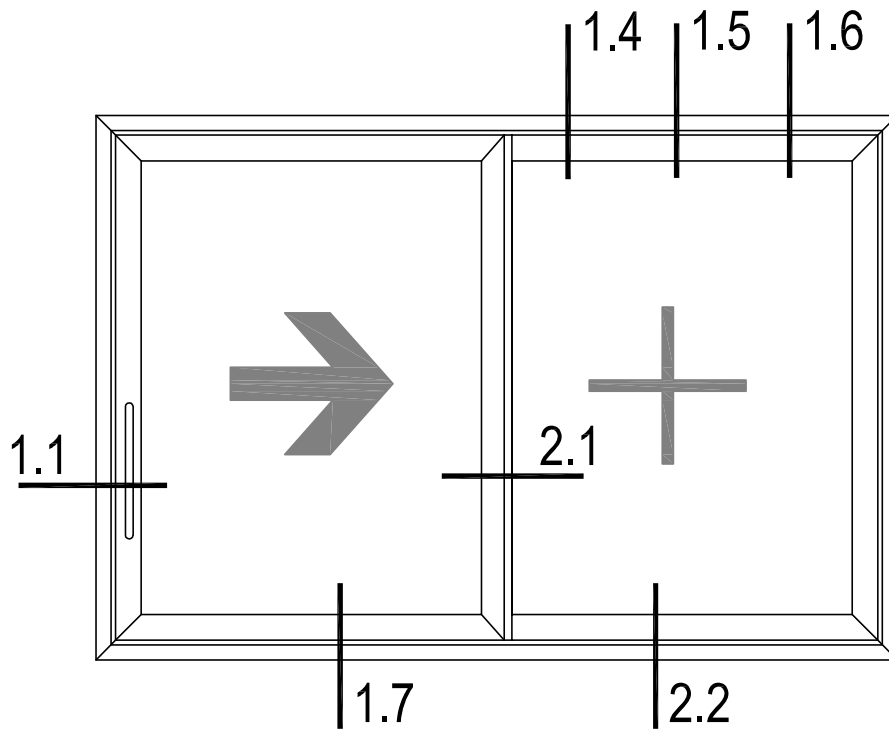


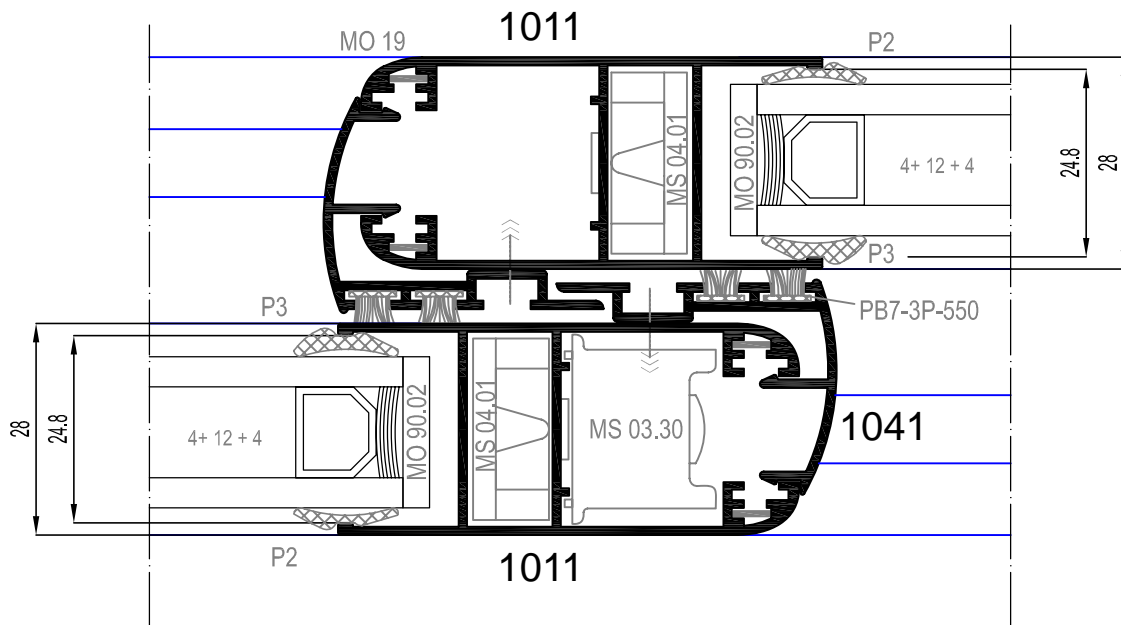
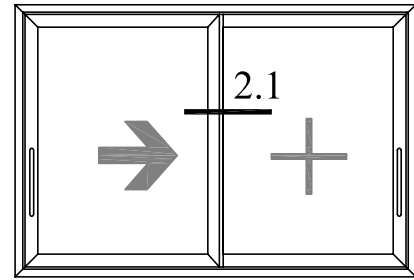
1.6 DETAILS



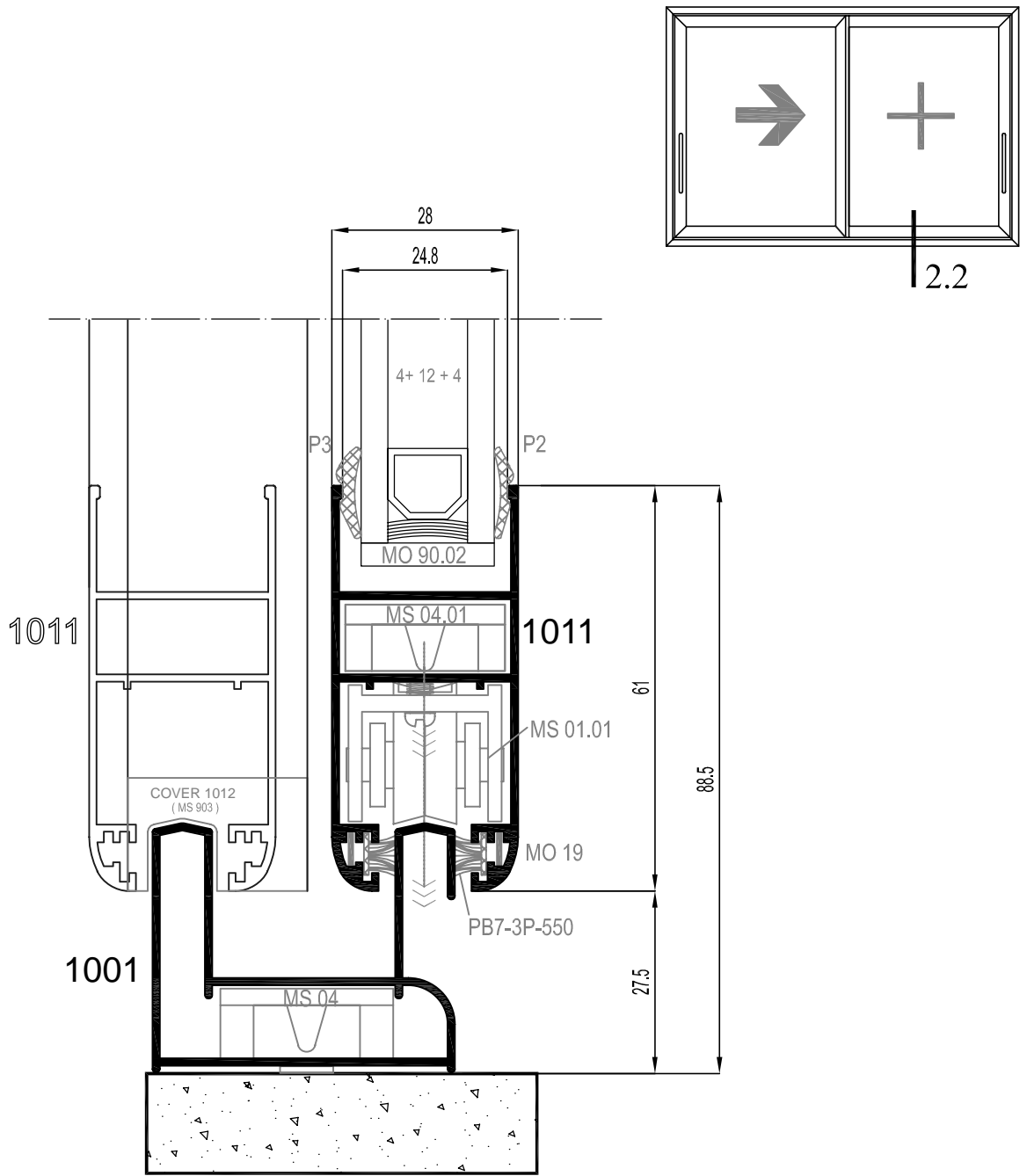
1.7 DETAILS

2



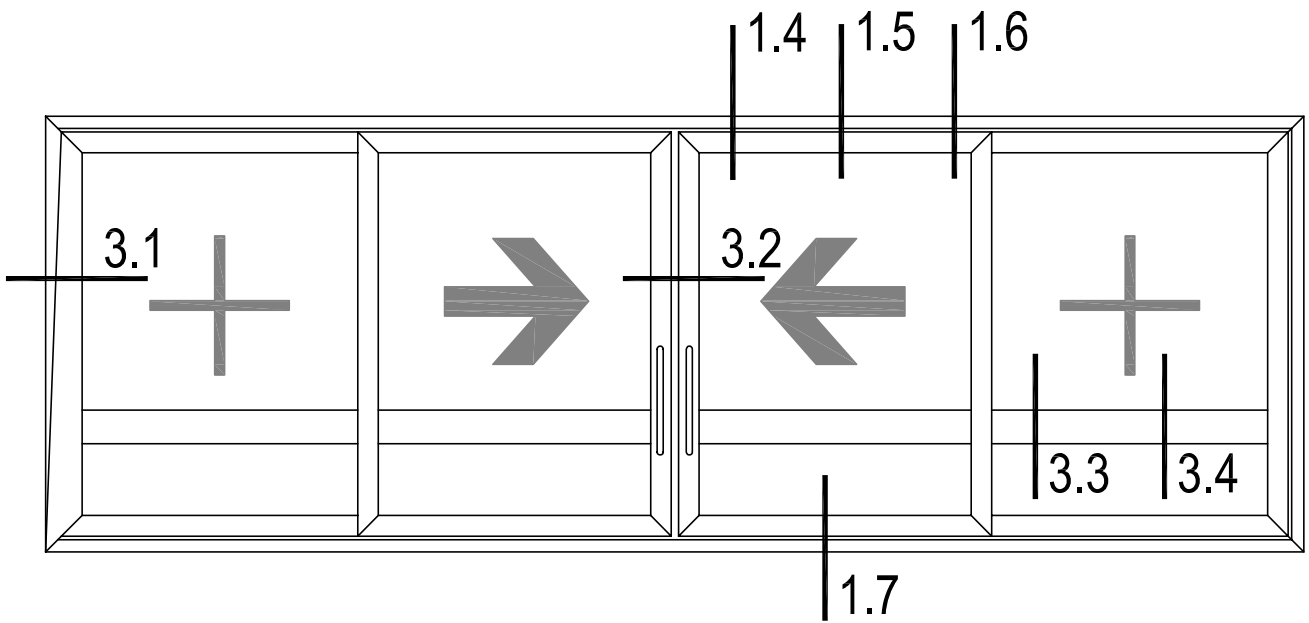


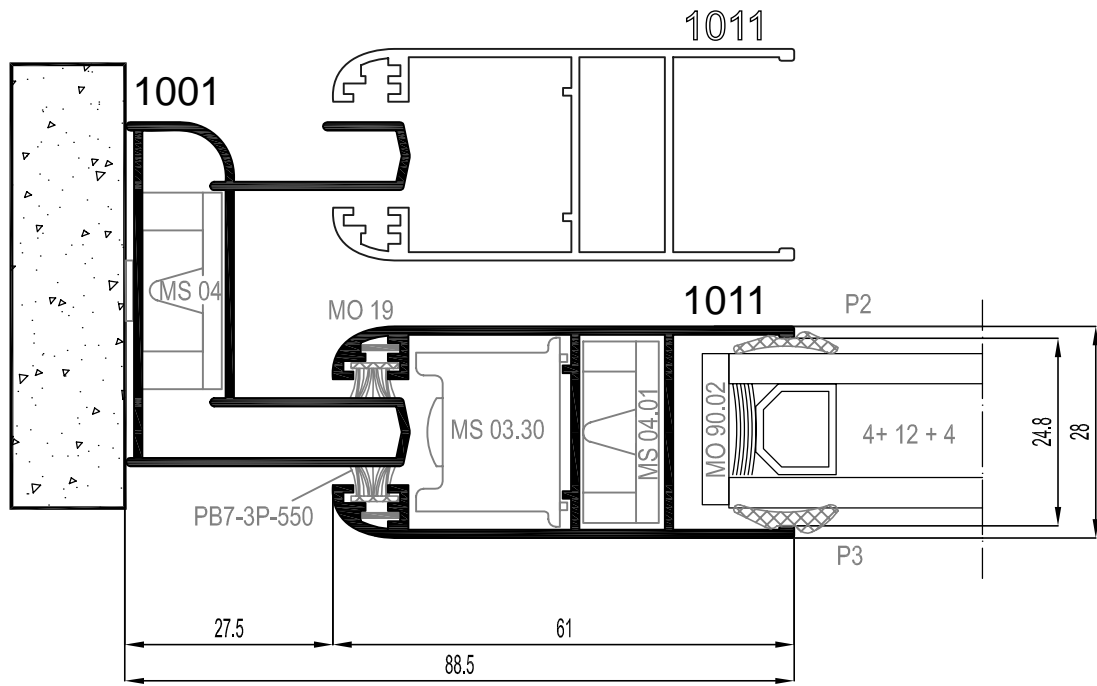
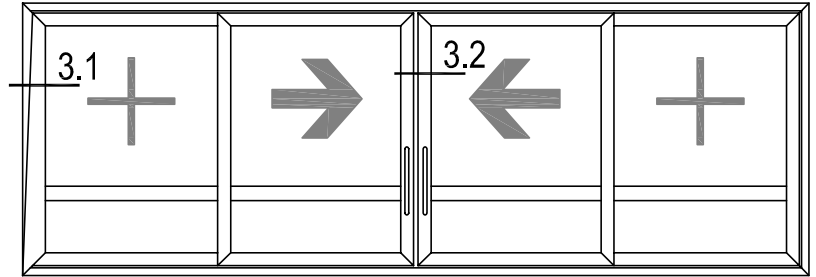
2.1 DETAILS



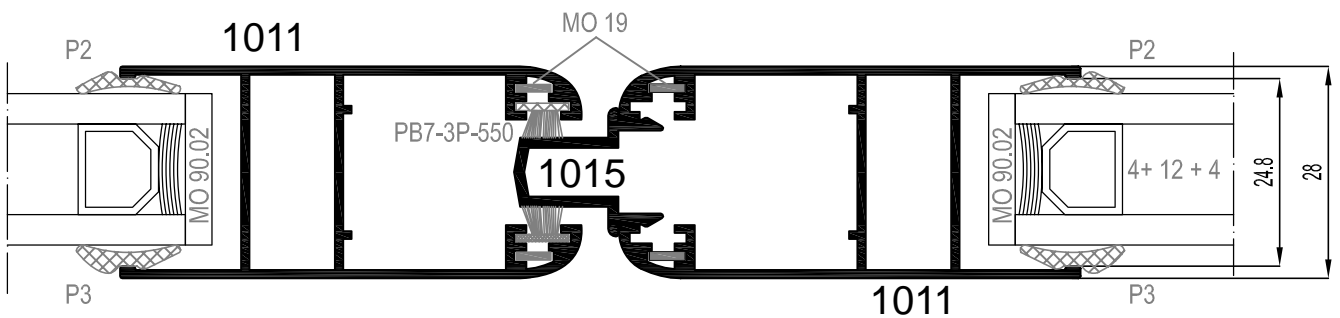
2.1 DETAILS

3

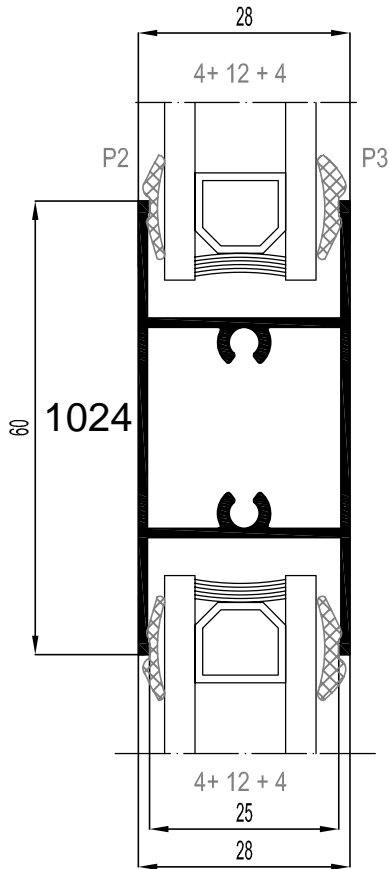
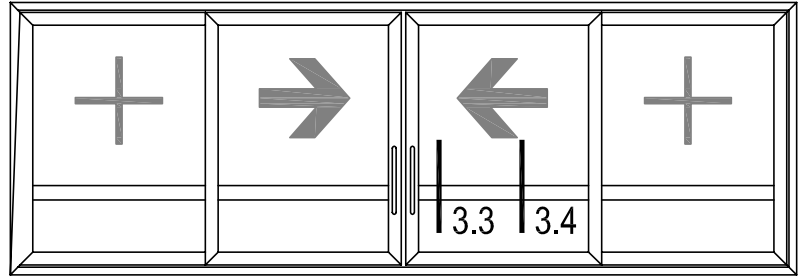




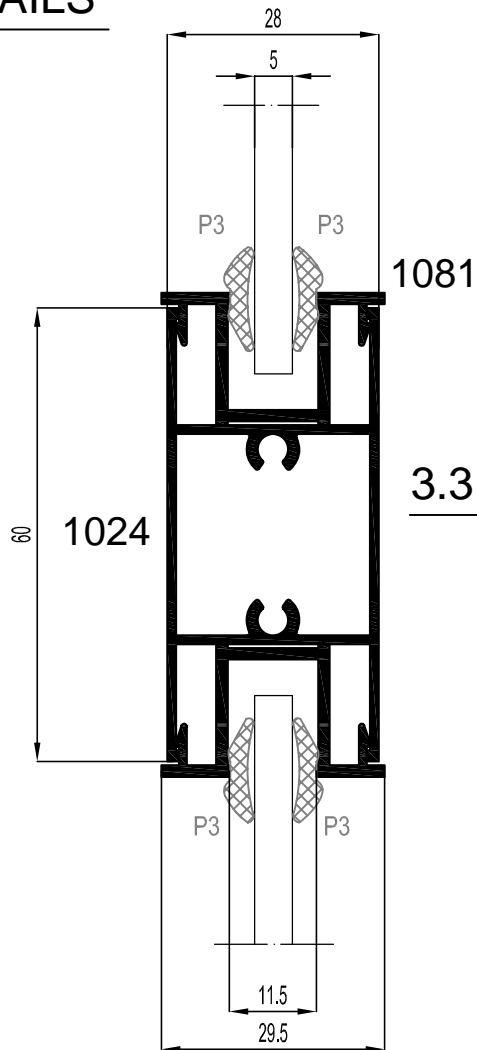
3.1 DETAILS



3.2 DETAILS

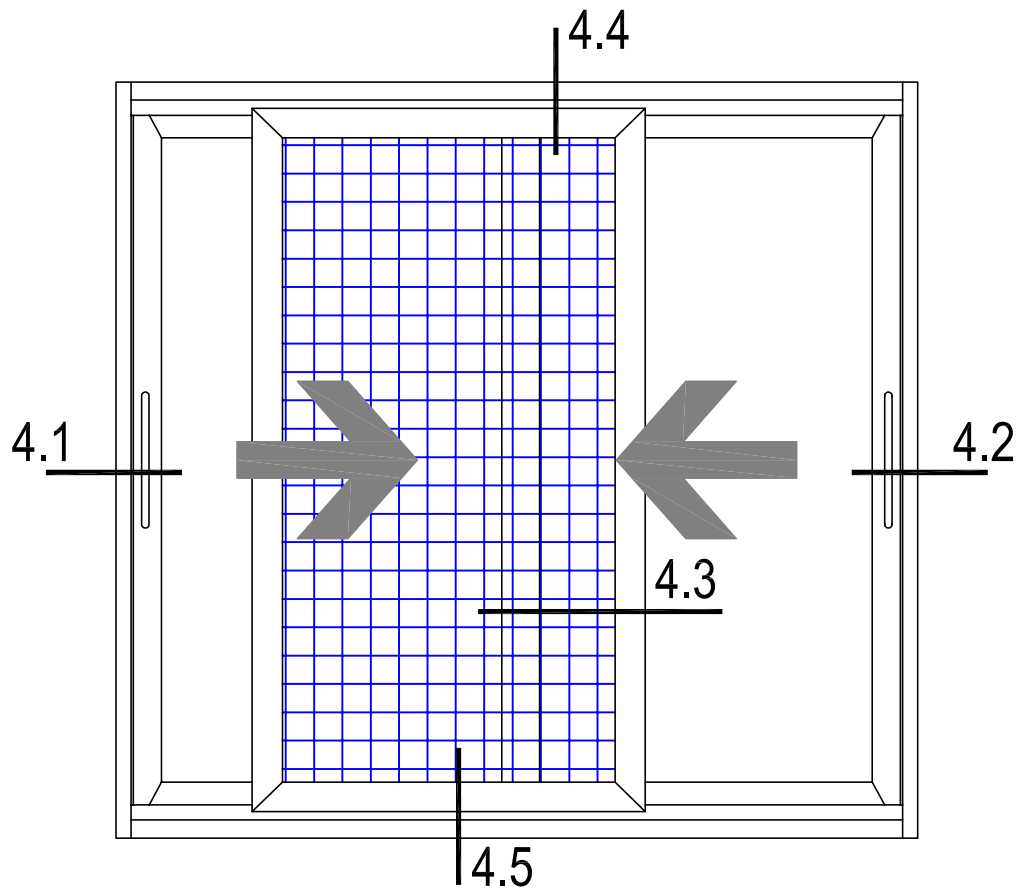


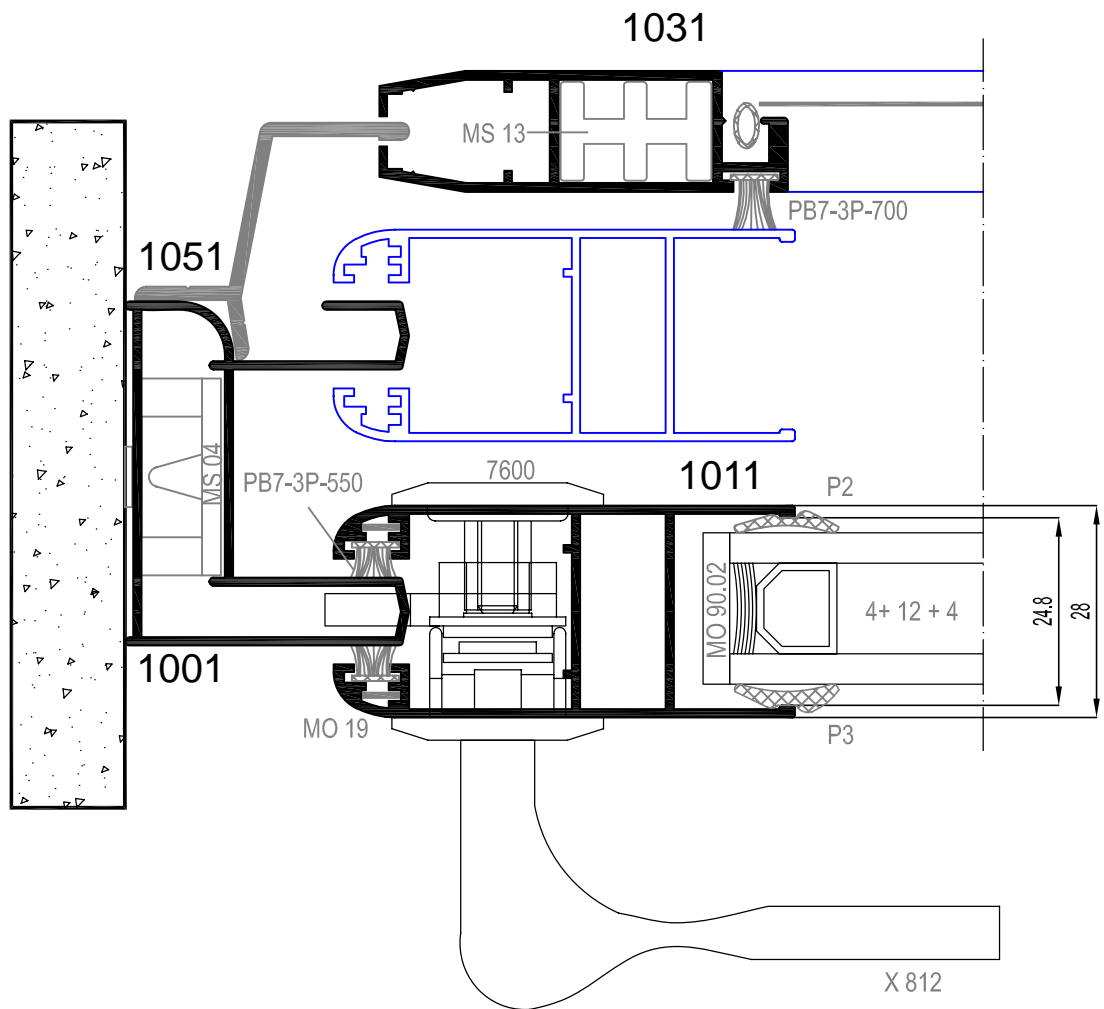
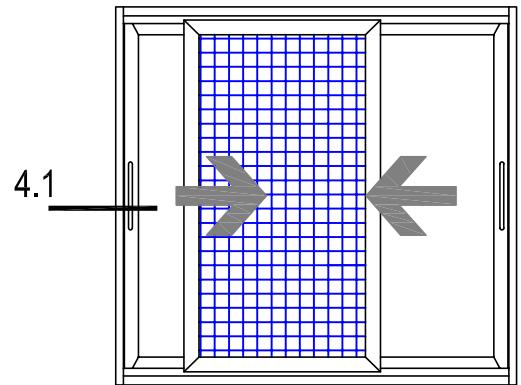
3.3 DETAILS



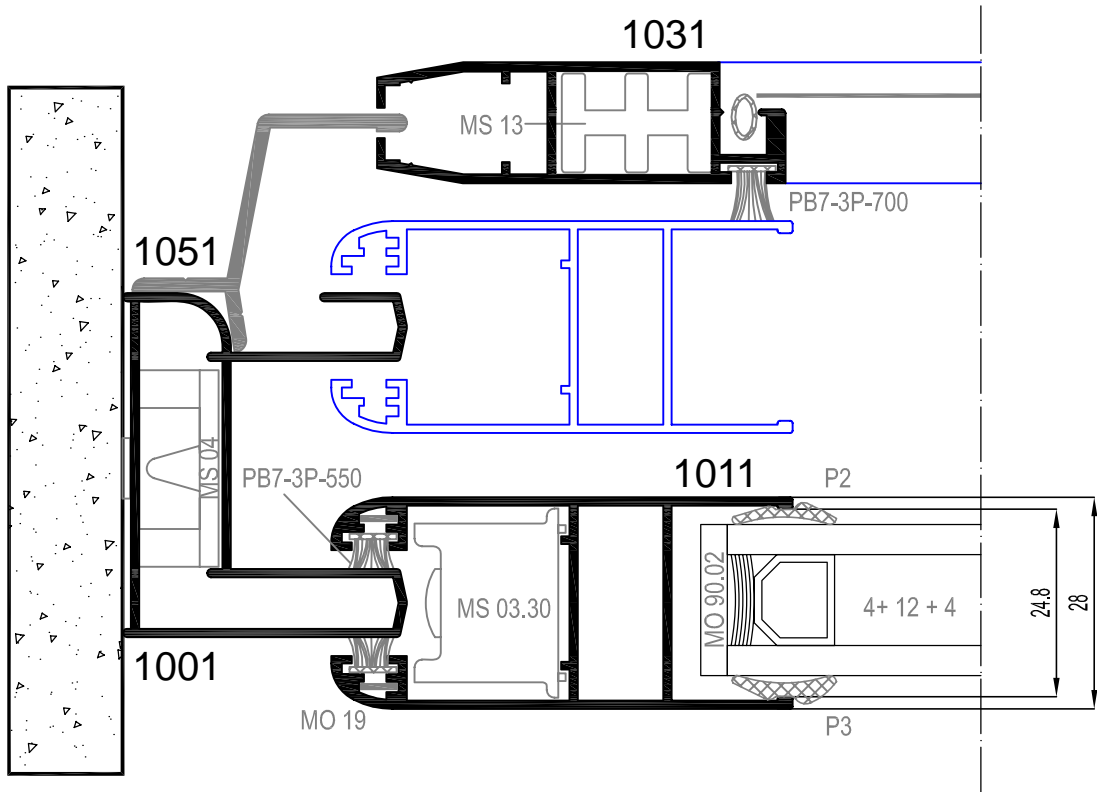
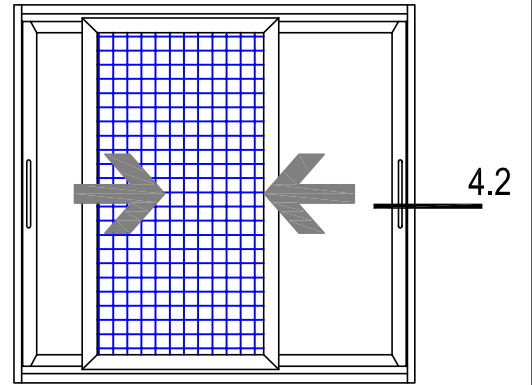
3.3 DETAILS

4

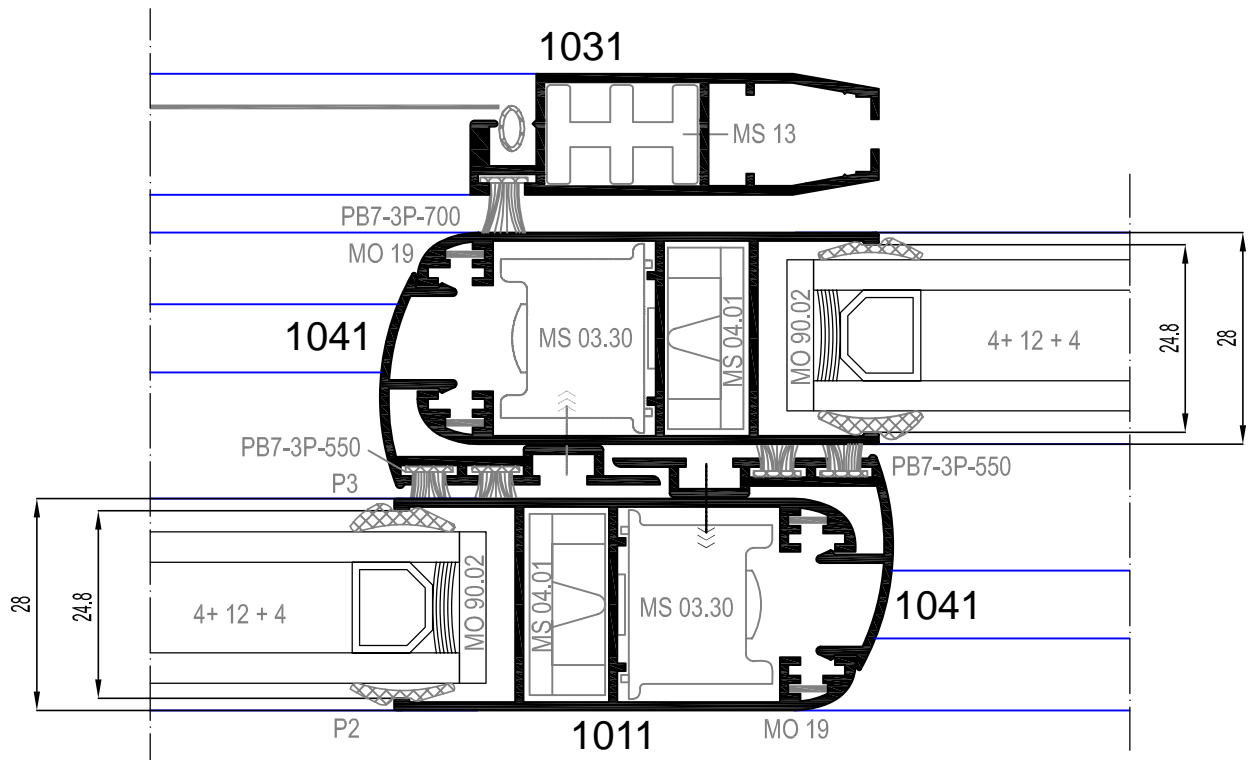
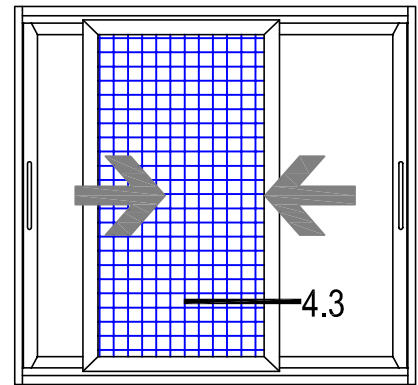




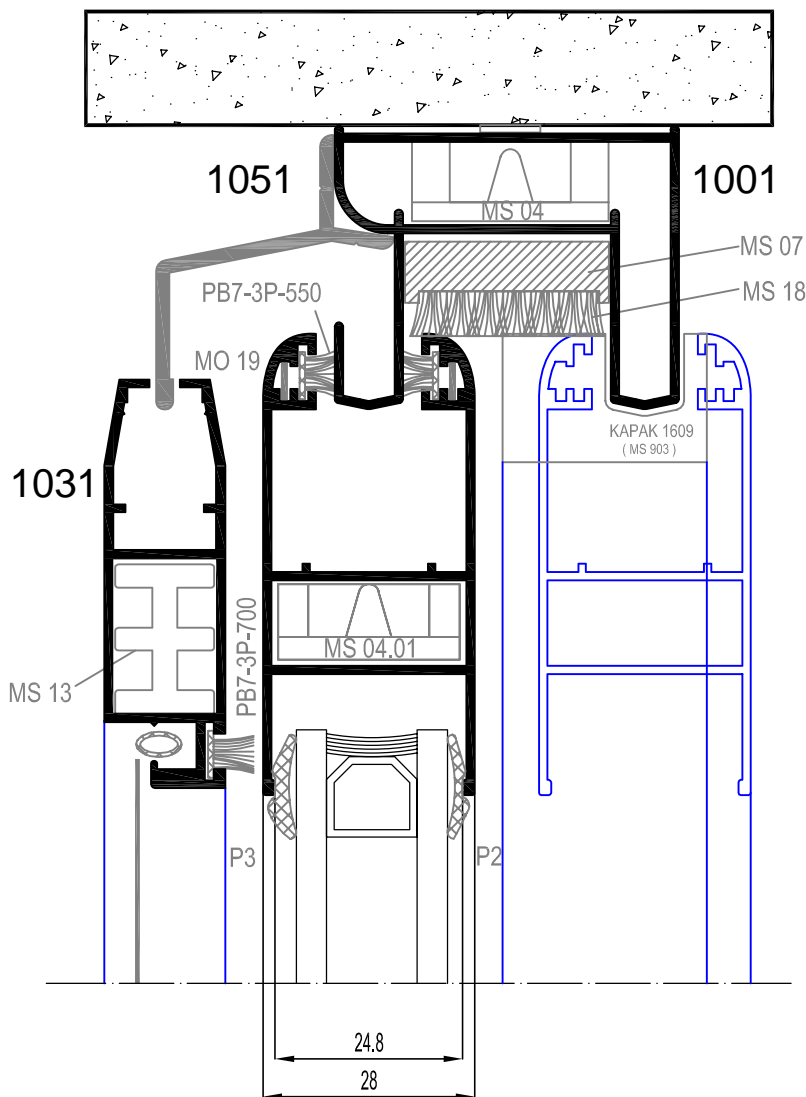
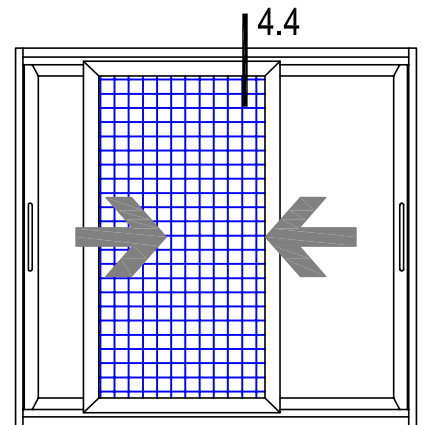
4.1 DETAILS



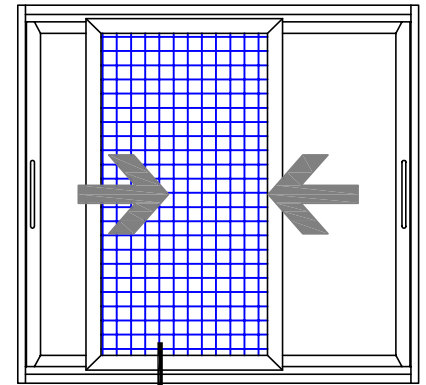
4.2 DETAILS



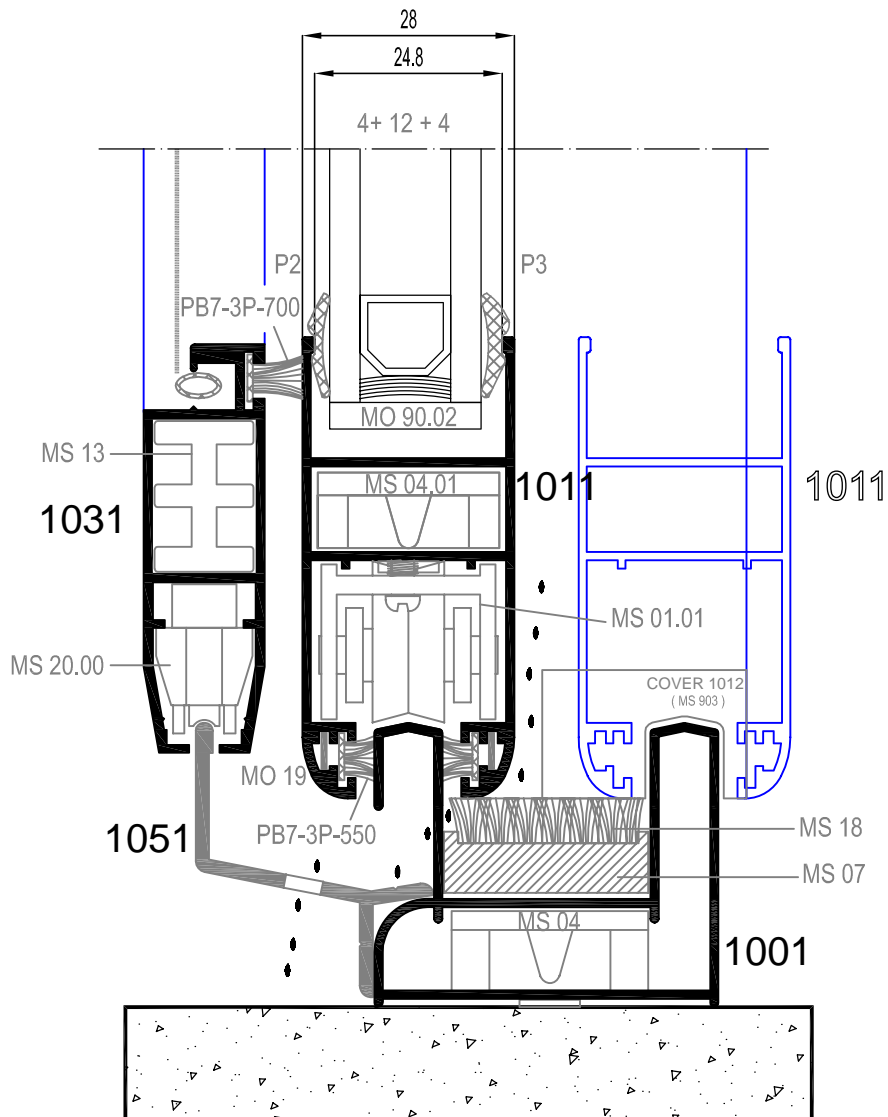
4.3 DETAILS



4.4 DETAILS

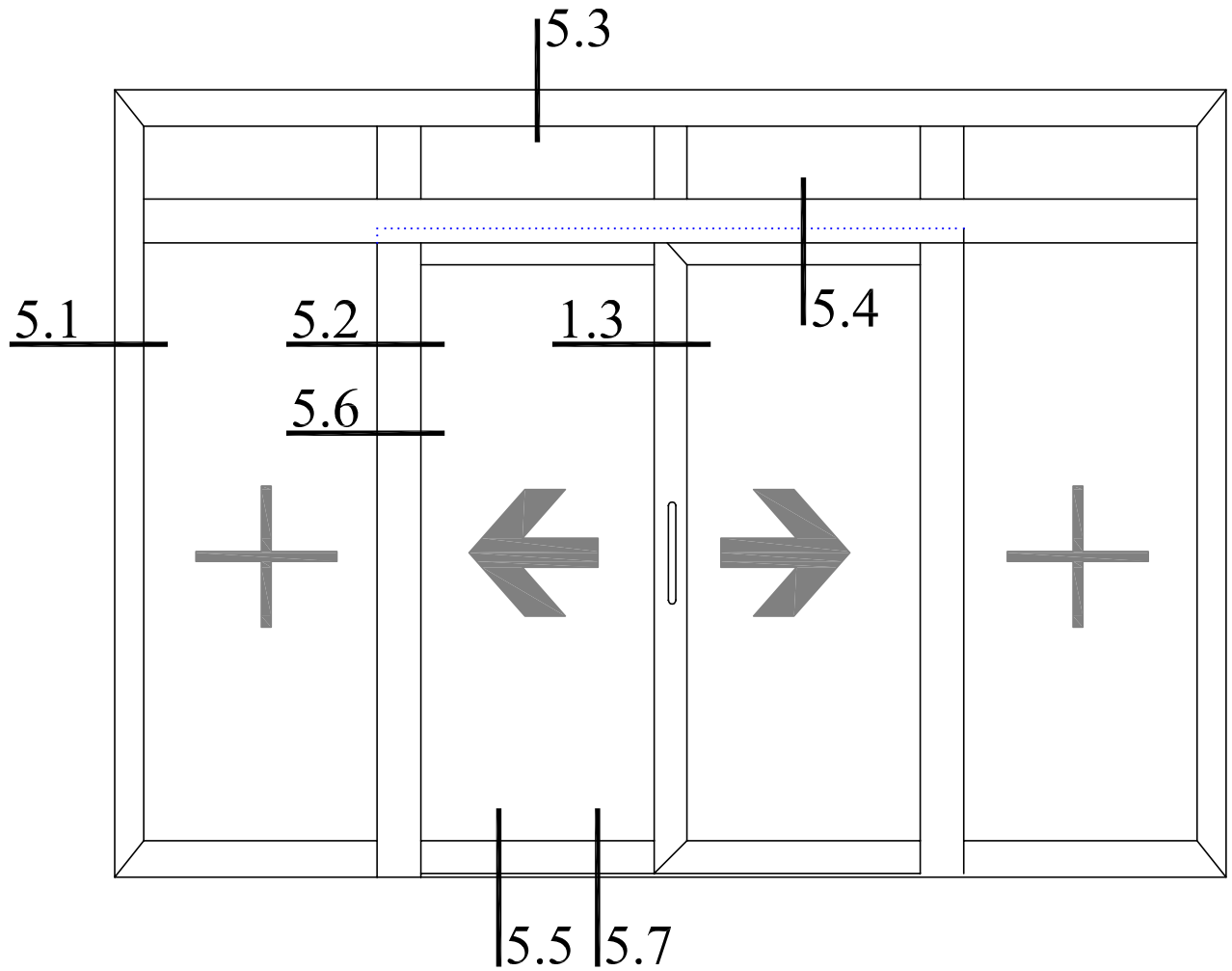


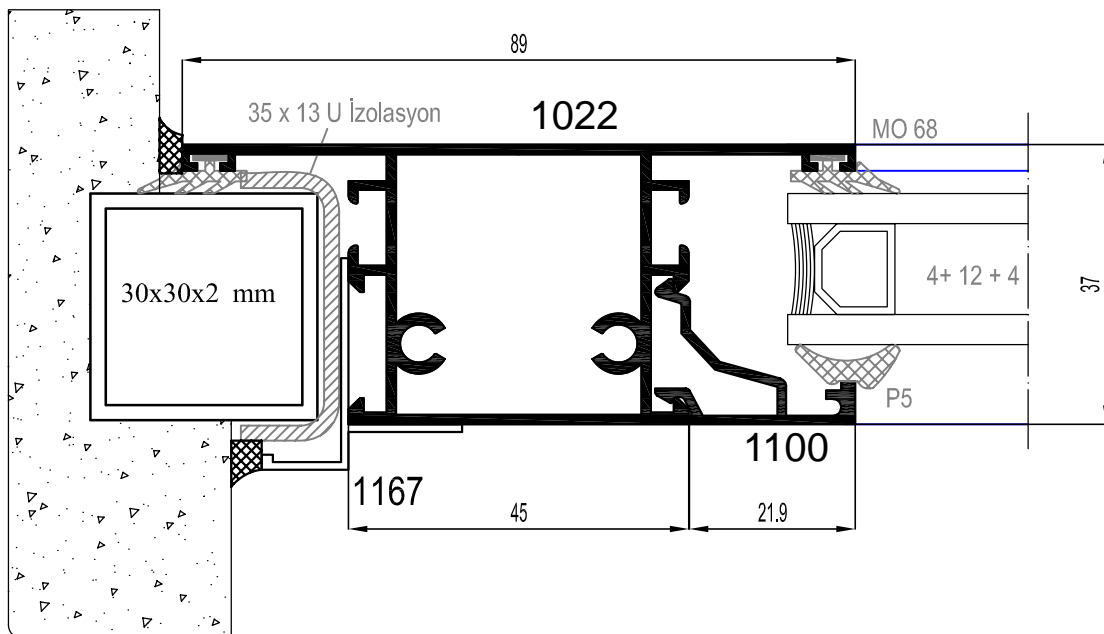
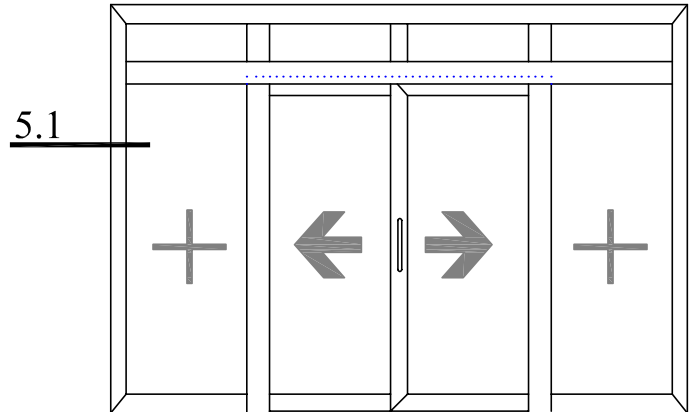
4.5



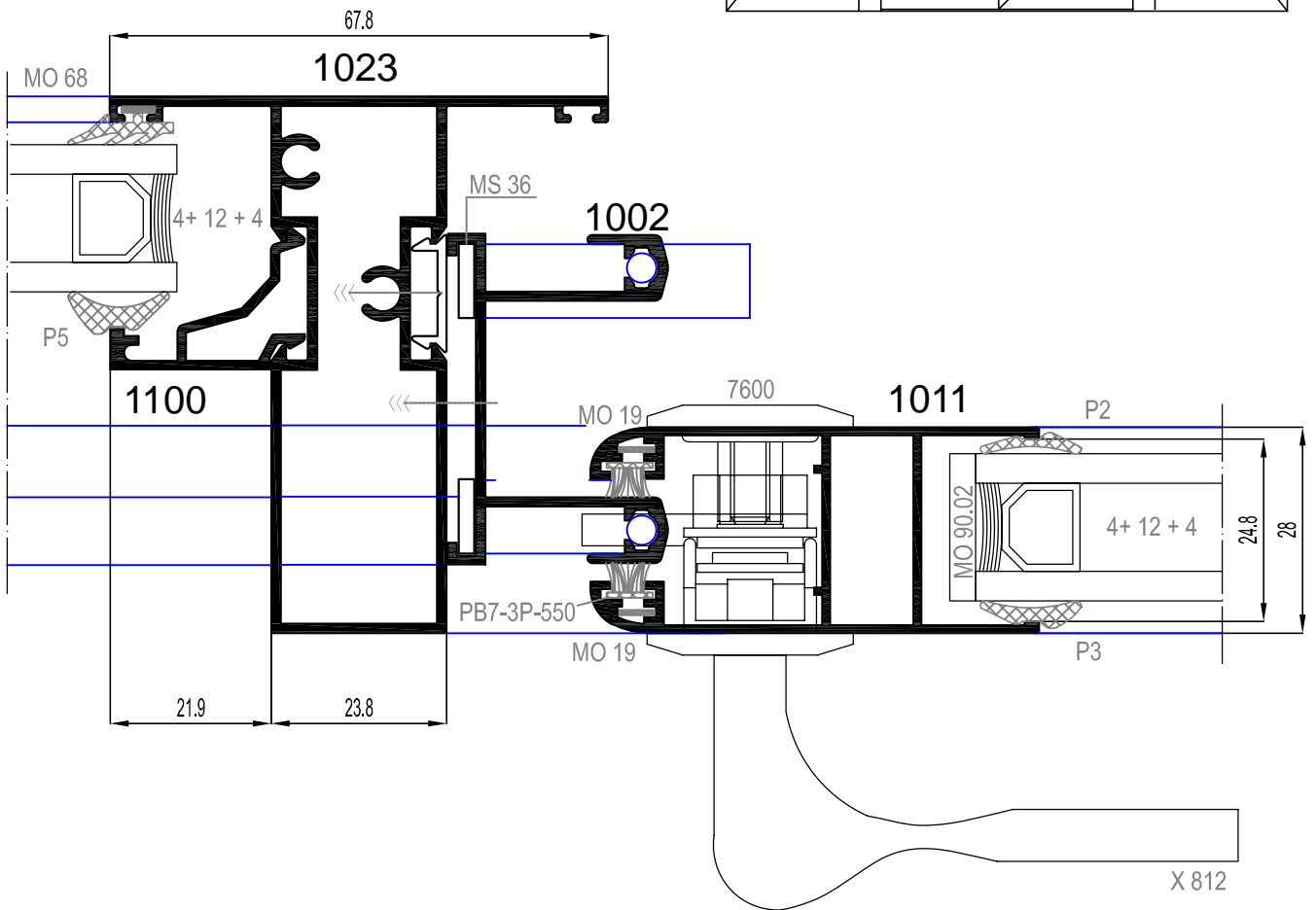
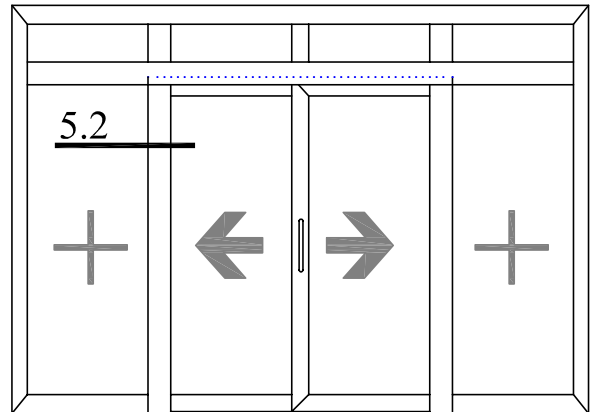
4.5 DETAILS

5

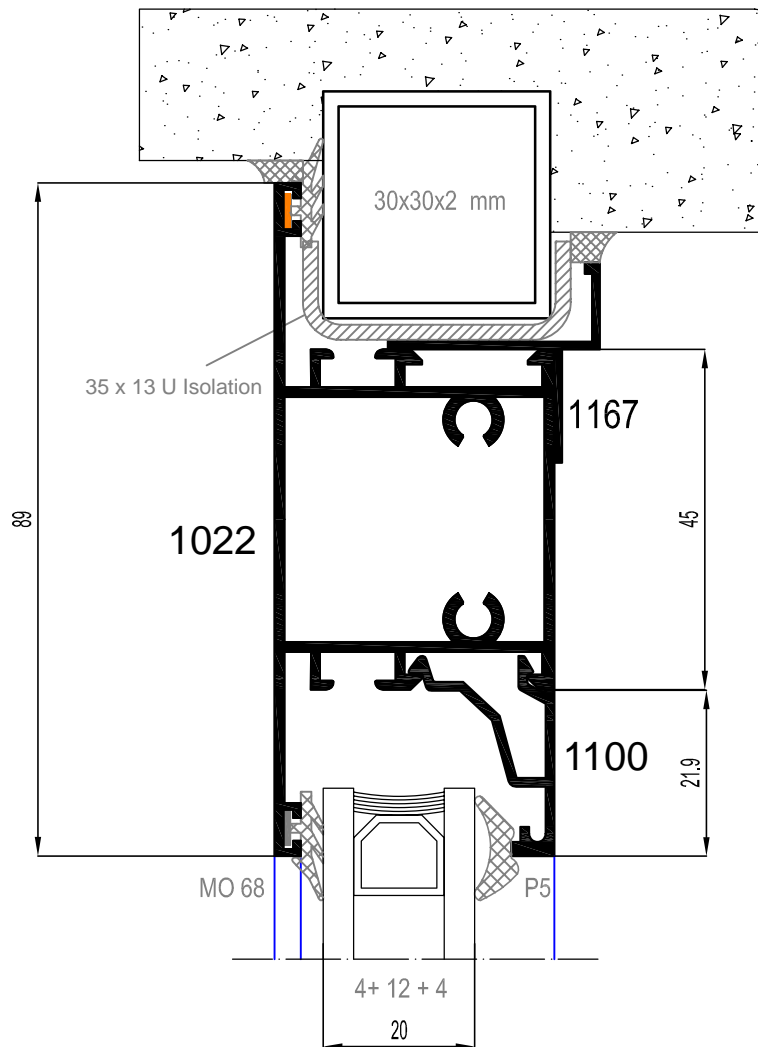
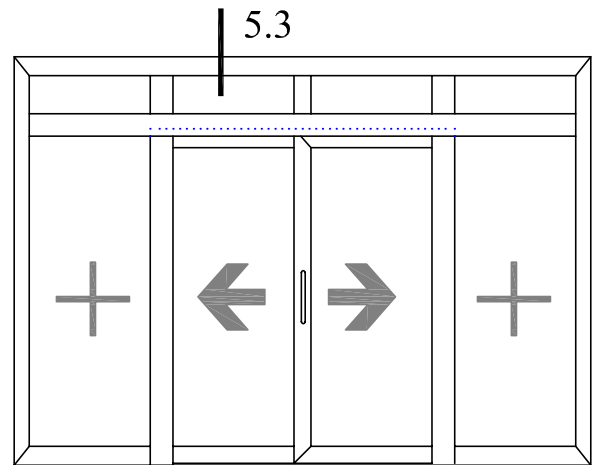




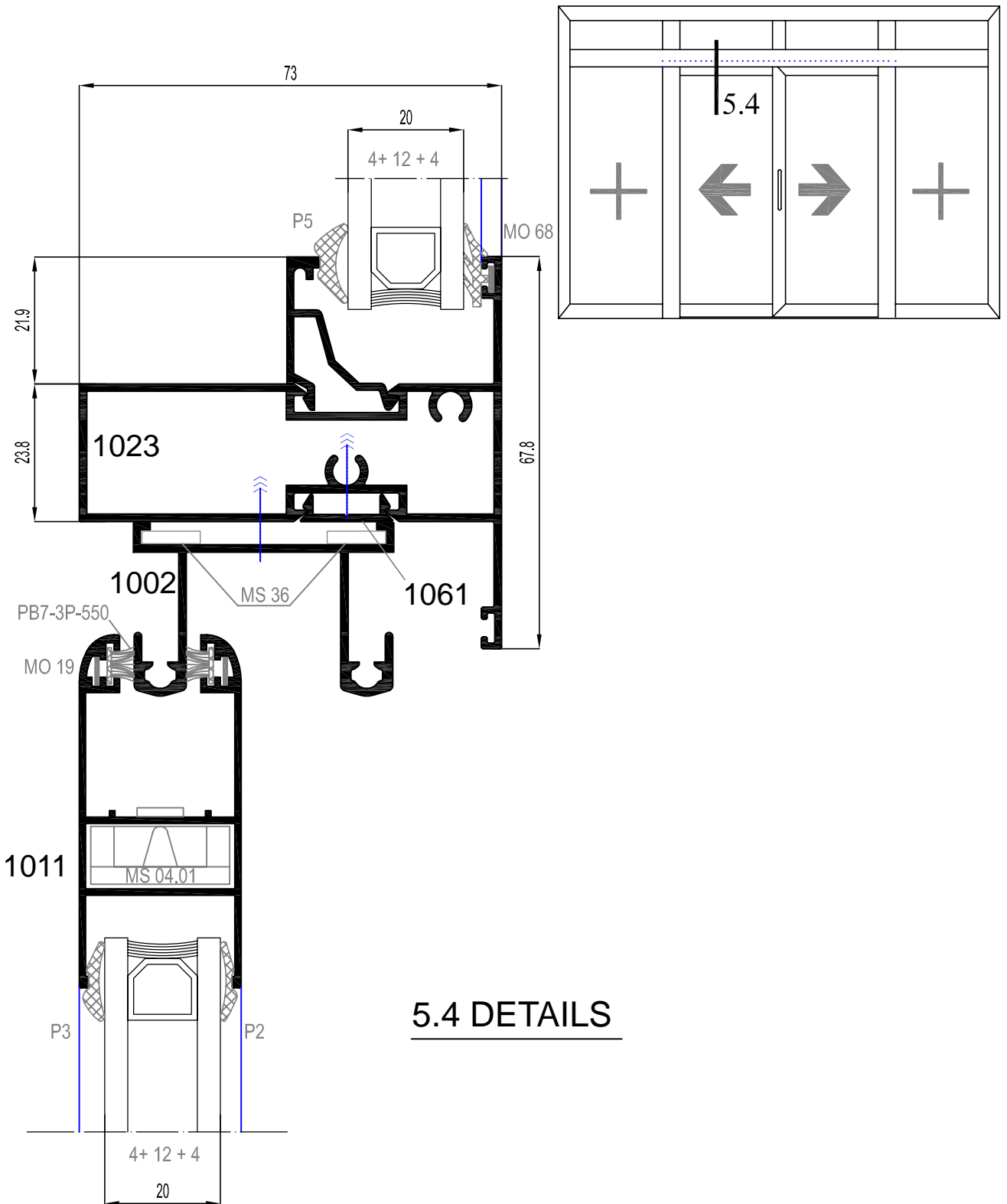
5.1 DETAILS



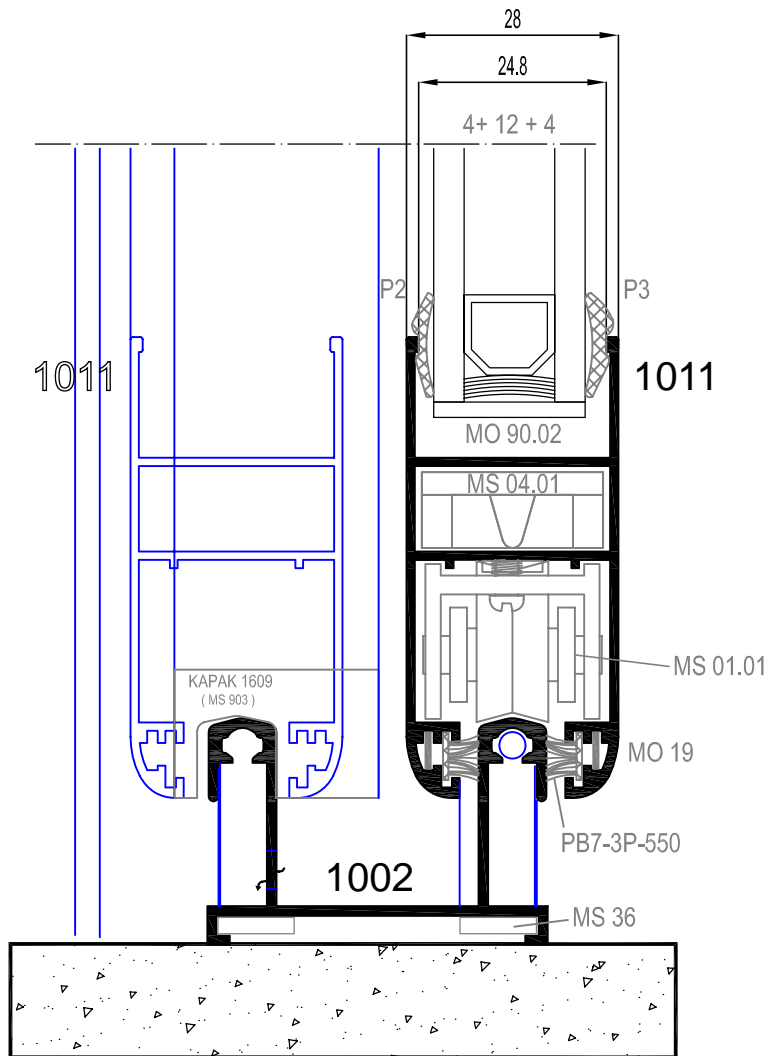
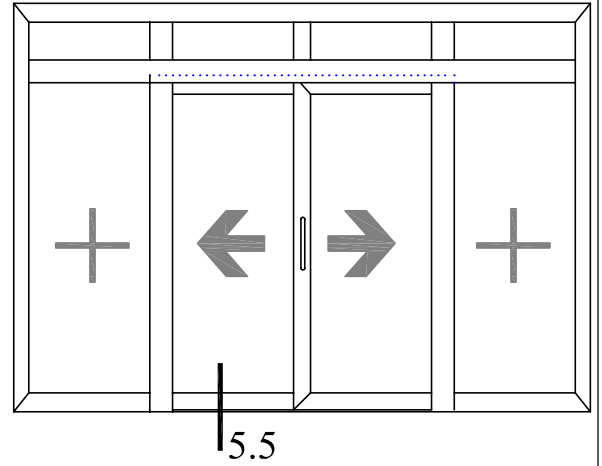
5.2 DETAILS



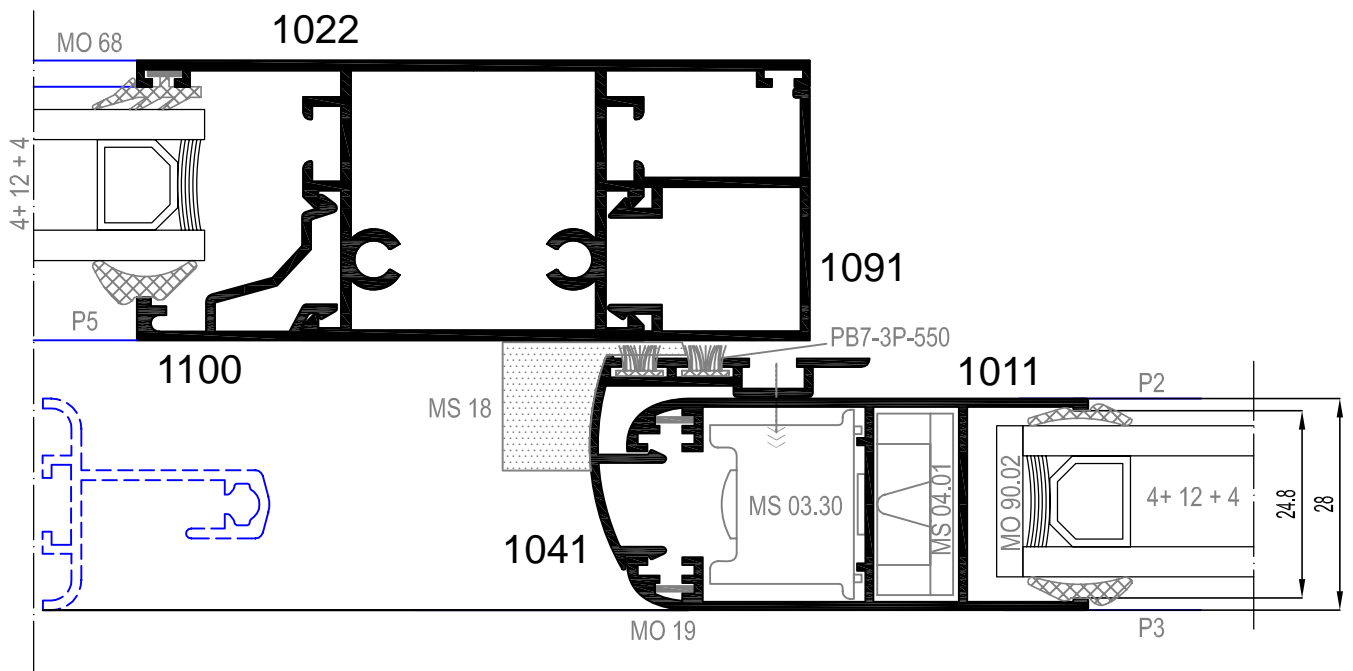
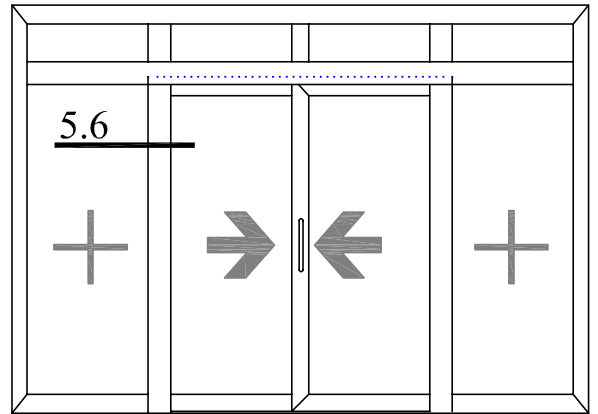
5.3 DETAILS



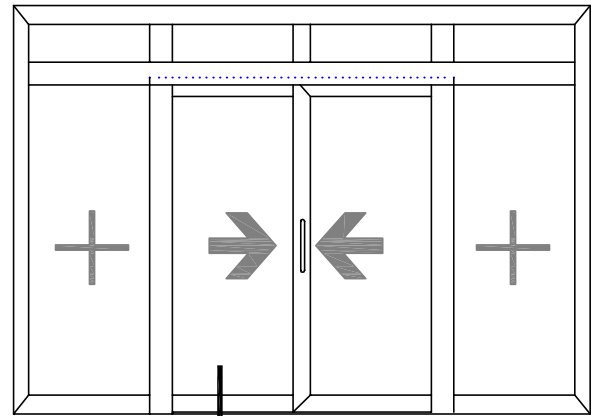
5.4 DETAILS



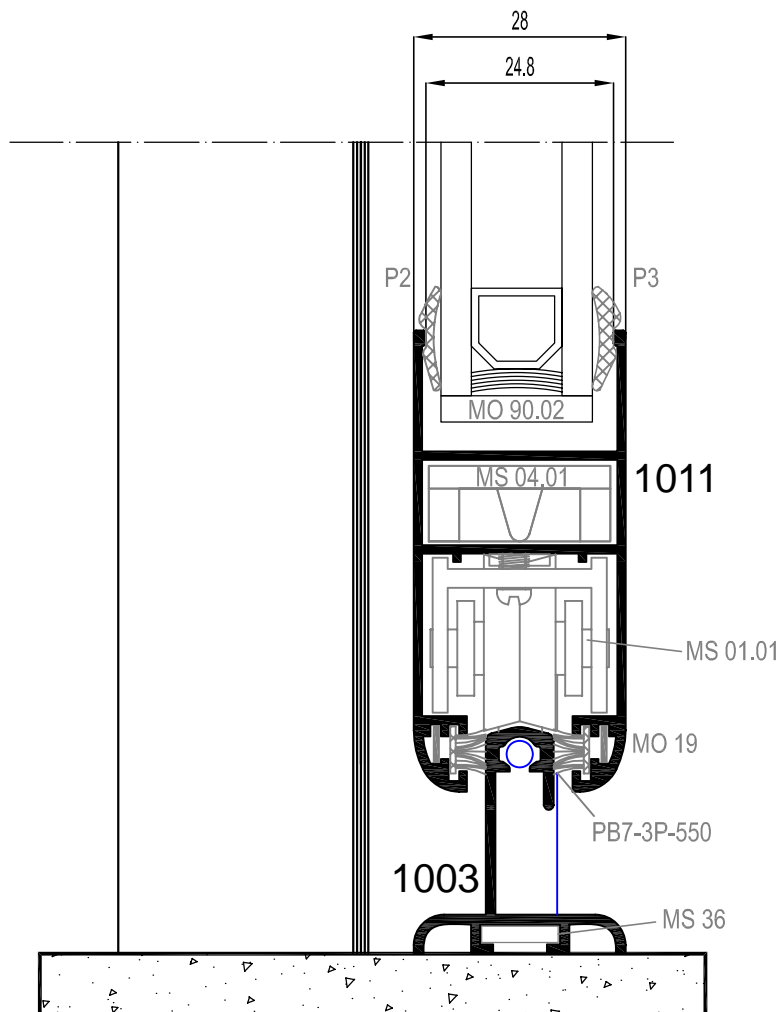
5.5 DETAILS



5.6 DETAILS



5.7

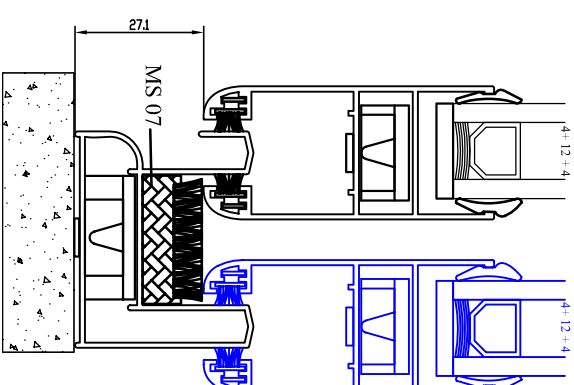
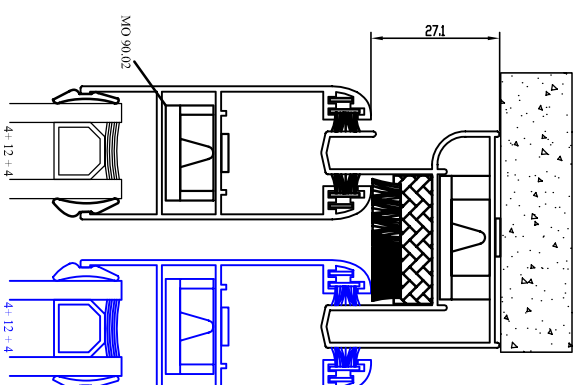
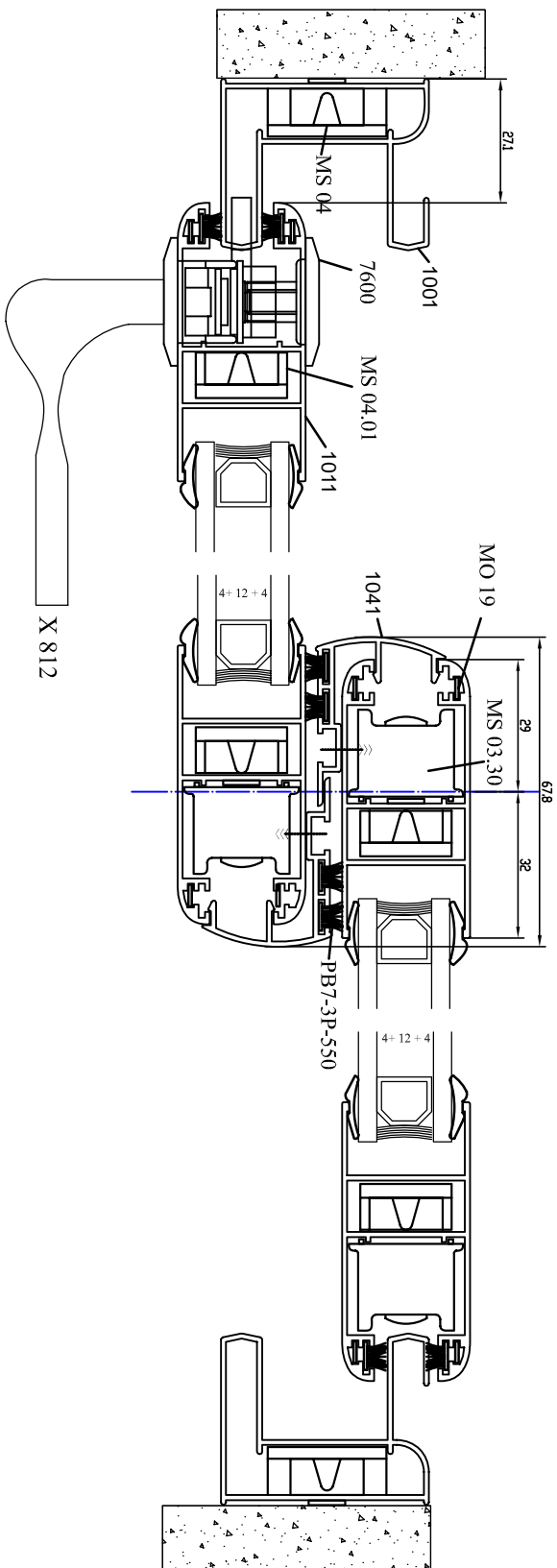
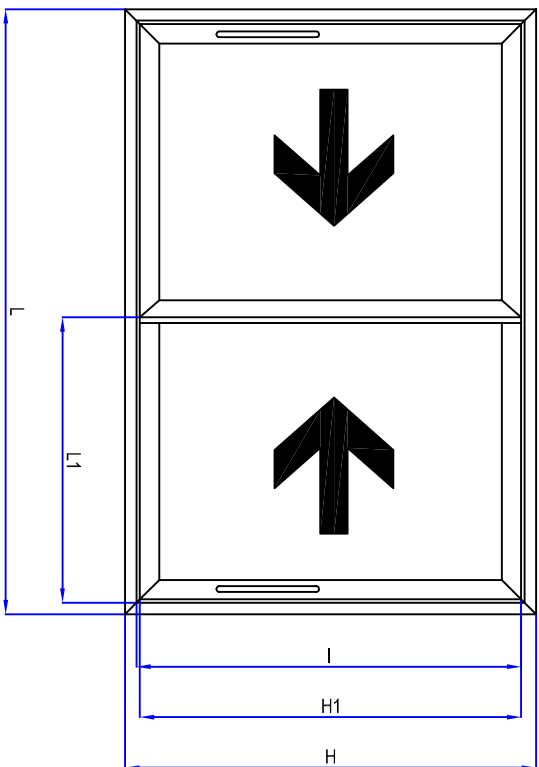


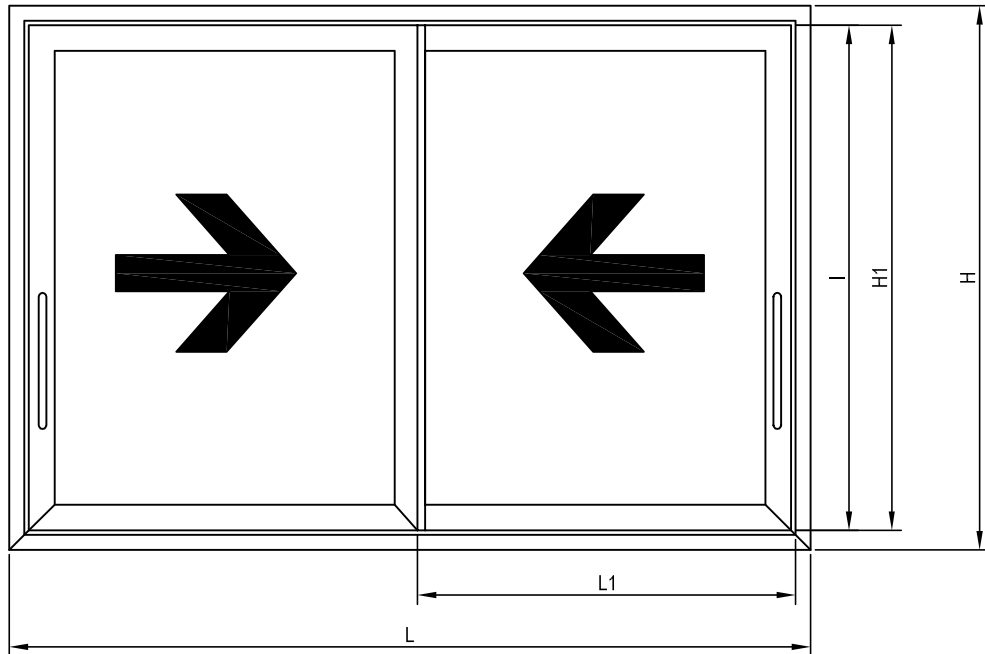
5.7 DETAILS

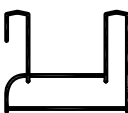

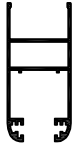
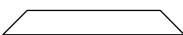


1000 STANDART MINI SLIDING SYSTEM

ACCESSORIES

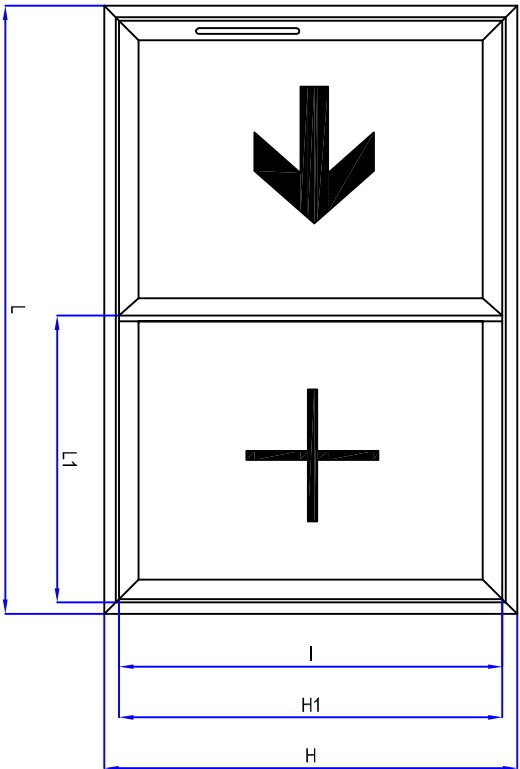
| CODE | PIECE | DESCRIPTION |
|------------|------------------------|--------------------------|
| MS 04 | 4 piece | CORNER CLEATS |
| MO 41 | 8 piece | CORNER CLEATS |
| MS 03.30 | 8 piece | STOPPER |
| 7600 M | 2 set | SET LOCKING-CUP + HANDLE |
| MO 19 | 16 piece | CORNER CLEATS |
| PB7-3P-650 | L= L1 x 8 H= H1 x 8 | GASKET |
| P2 | L= L1 x 4 H= H1 x 4 | GASKET |
| P3 | L= L1 x 4 H= H1 x 4 | GASKET |
| MO 90.02 | 8 piece | WEDGES |
| MS 07 | 8 piece | CENTRAL FILLING PLUG |
| MS 18 | 8 piece x 20 mm | CENTRAL FILLING PLUG |
| X 812 | 2 piece | HANDLE |





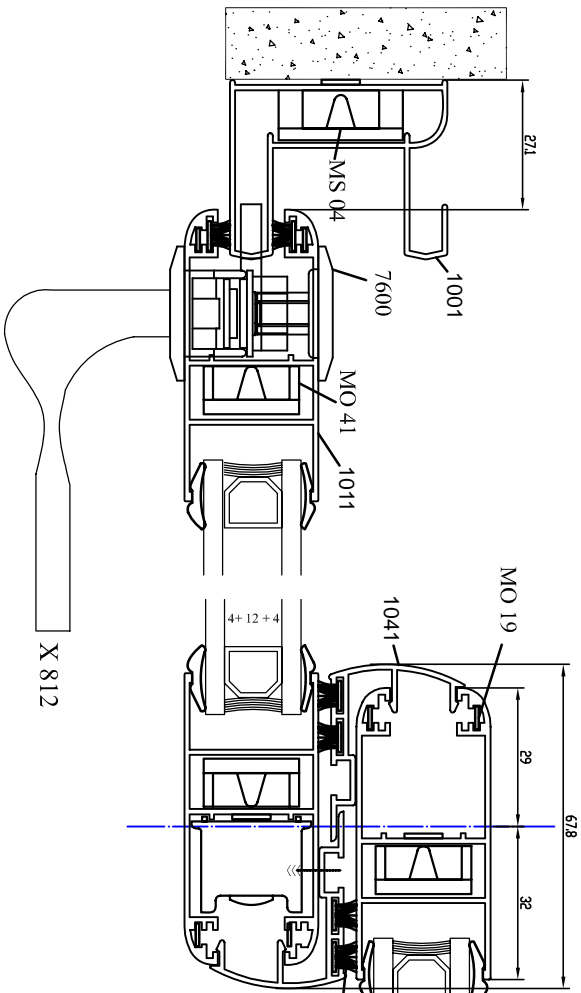
| PROFILE CODE | DRAWING | DESCRIPTION | CUTTING SIZES | ANGLE OF CUTTING | NUMBER |
|--------------|---|-----------------|--------------------------|---|--------|
| 1001 |  | FRAME PROFILE | L |  | 2 |
| | | | H | | 2 |
| 1011 |  | SASH PROFILE | $L1 = L/2 + 1.9$ |  | 4 |
| | | | $H1 = H - 27.1 \times 2$ | | 4 |
| 1041 |  | ADAPTOR PROFILE | $I = H - 27.1 \times 2$ |  | 2 |

1000 STANDART MINI SLIDING SYSTEM

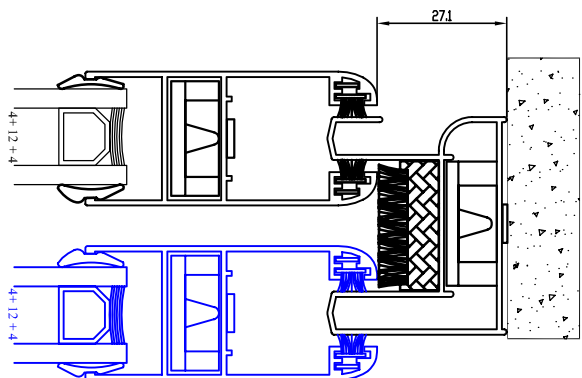
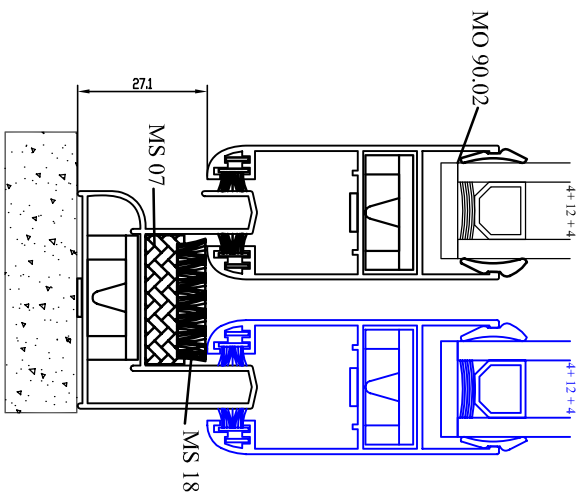


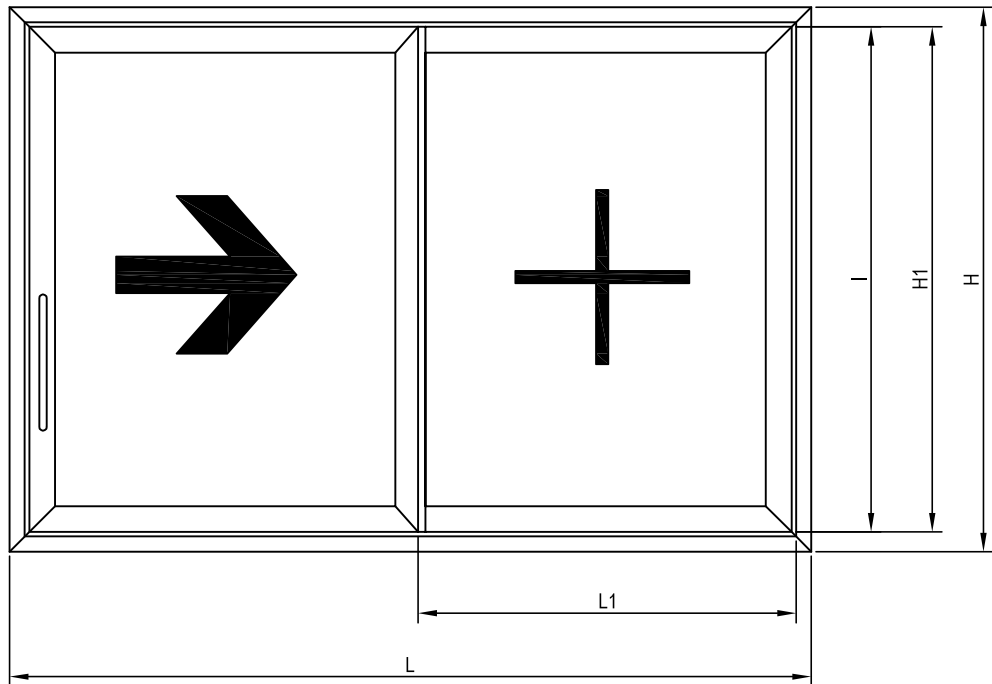
ACCESSORIES

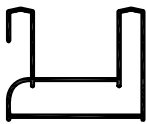
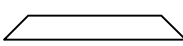

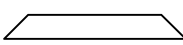

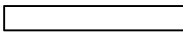
| CODE | PIECE | DESCRIPTION |
|------------|------------------------|--------------------------|
| MS 04 | 4 piece | CORNER CLEATS |
| MO 41 | 8 piece | CORNER CLEATS |
| MS 03.30 | 6 piece | STOPPER |
| 7600 M | 1 set | SET LOCKING CUP + HANDLE |
| MO 19 | 16 piece | CORNER CLEATS |
| PB7-3P-650 | L= L1 x 8 H= H1 x 8 | GASKET |
| P2 | L= L1 x 4 H= H1 x 4 | GASKET |
| P3 | L= L1 x 4 H= H1 x 4 | GASKET |
| MO 90.02 | 8 piece | WEDGES |
| MS 07 | 2 piece | CENTRAL FILLUNG PLUG |
| MS 18 | 2 piece x 20 mm | CENTRAL FILLUNG PLUG |
| X 812 | 1 piece | HANDLE |

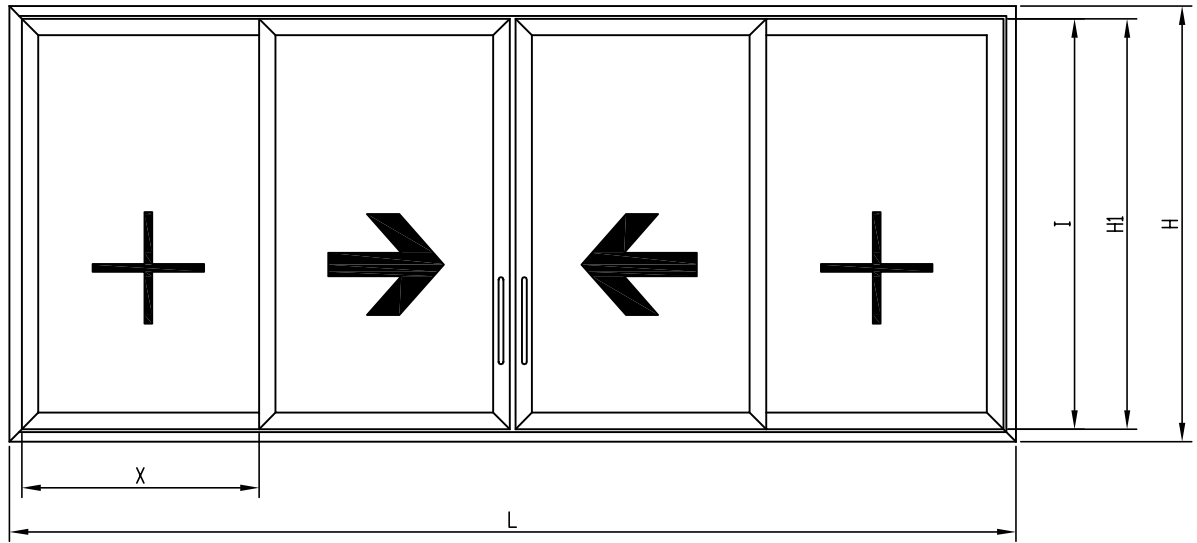


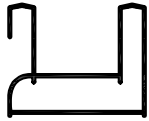
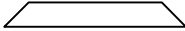
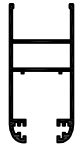


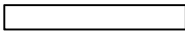

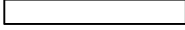
X 812





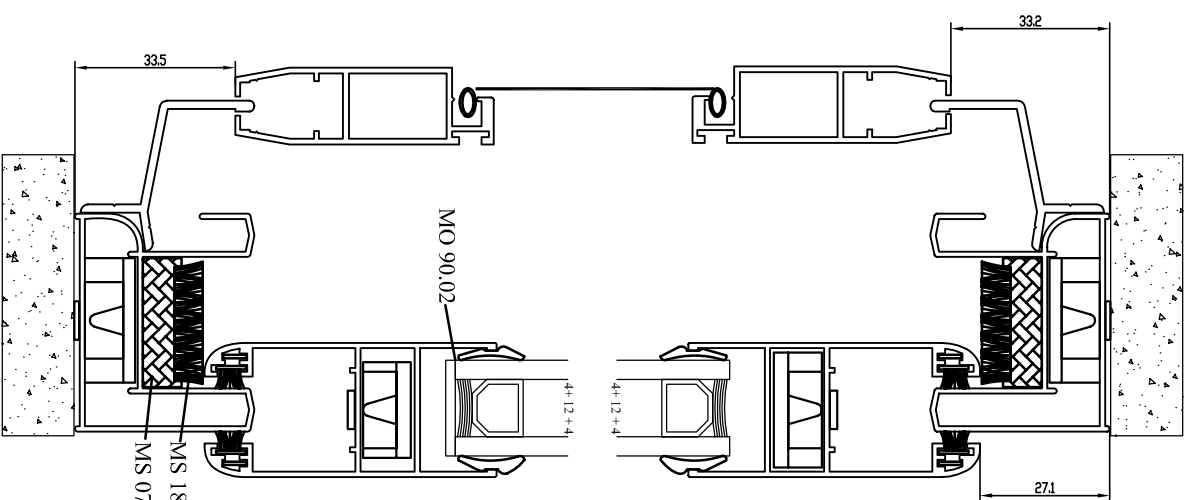
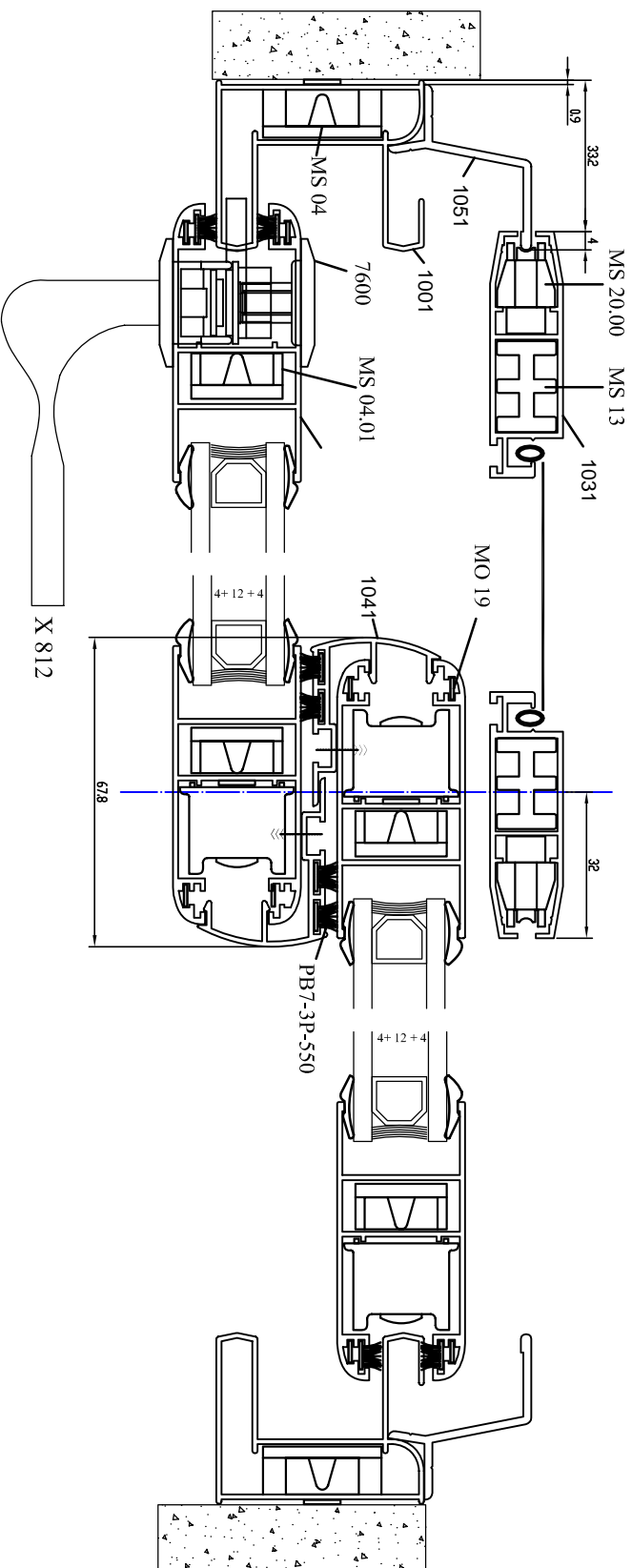
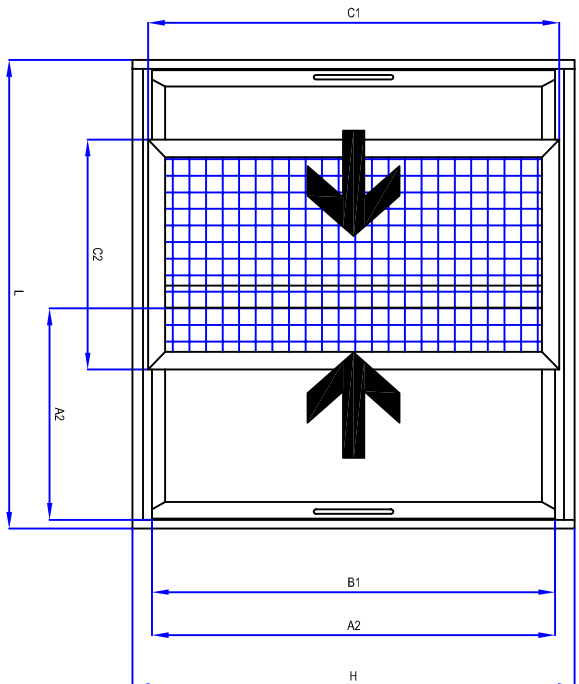
| PROFILE CODE | DRAWING | DESCRIPTION | CUTTING SIZES | ANGLE OF CUTTING | NUMBER |
|--------------|---|-----------------|--------------------------|---|--------|
| 1001 |  | FRAME PROFILE | L |  | 2 |
| | | | H | | 2 |
| 1011 |  | SASH PROFILE | $L1 = L/2 + 1.9$ |  | 4 |
| | | | $H1 = H - 27.1 \times 2$ | | 4 |
| 1041 |  | ADAPTOR PROFILE | $I = H - 27.1 \times 2$ |  | 2 |

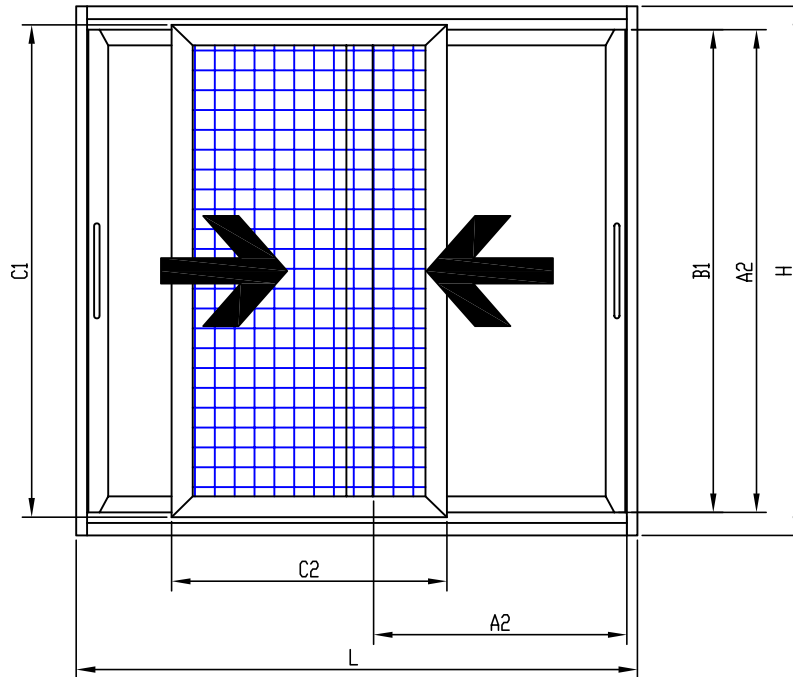


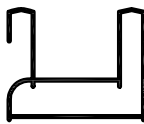
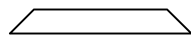
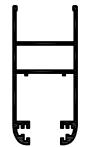
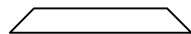

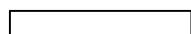
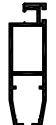
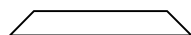

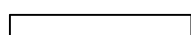
| PROFILE CODE | DRAWING | DESCRIPTION | CUTTING SIZES | ANGLE OF CUTTING | NUMBER |
|--------------|---|-----------------|--------------------------|---|--------|
| 1001 |  | FRAME PROFILE | L |  | 2 |
| | | | H | | 2 |
| 1011 |  | SASH PROFILE | $X = L/4 + 14.2$ |  | 8 |
| | | | $H1 = H - 27.1 \times 2$ | | 8 |
| 1041 |  | ADAPTOR PROFILE | $I = H - 27.1 \times 2$ |  | 4 |
| 1015 |  | ADAPTOR PROFILE | $I = H - 27.1 \times 2$ |  | 1 |

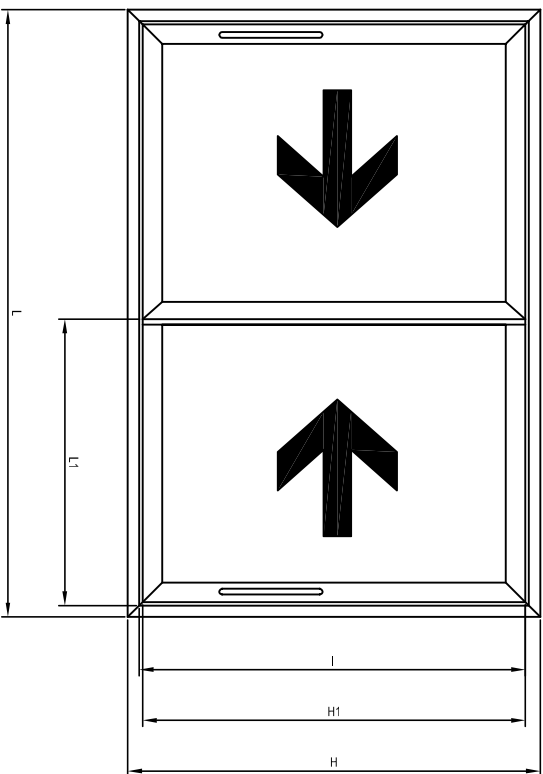
ACCESSORIES

| CODE | PIECE | DESCRIPTION |
|------------|------------------------|--------------------------|
| MS 04 | 4 piece | CORNER CLEATS |
| MO 41 | 8 piece | CORNER CLEATS |
| MS 03.30 | 6 piece | STOPPER |
| 7600 M | 1 set | SET LOCKING CUP + HANDLE |
| MO 19 | 16 piece | CORNER CLEATS |
| PB7-3P-650 | L= L1 x 8 H= H1 x 8 | GASKET |
| P2 | L= L1 x 4 H= H1 x 4 | GASKET |
| P3 | L= L1 x 4 H= H1 x 4 | GASKET |
| MO 90.02 | 8 piece | WEDGES |
| MS 07 | 2 piece | CENTRAL FILLUNG PLUG |
| MS 18 | 2 piece x 20 mm | CENTRAL FILLUNG PLUG |
| X 812 | 2 piece | HANDLE |
| MS 20.00 | 2 piece | ADJUSTTIBLE PULLEY |
| MS 13 | 4 piece | CORNER CLEATS |

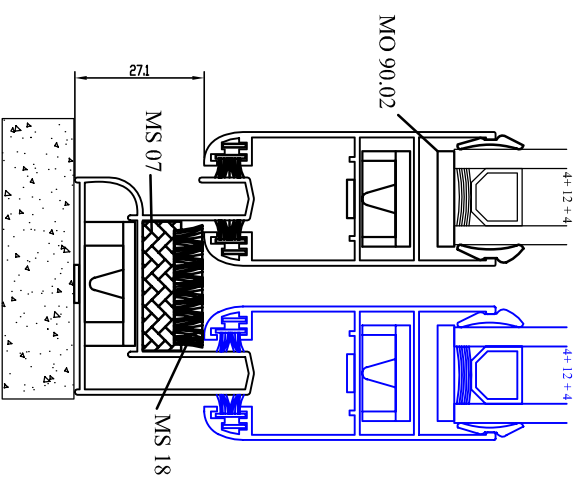
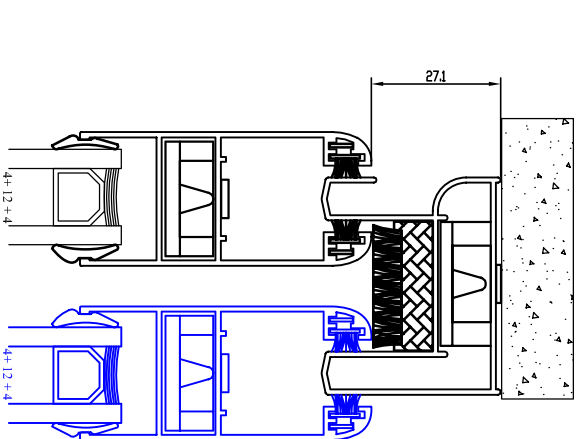
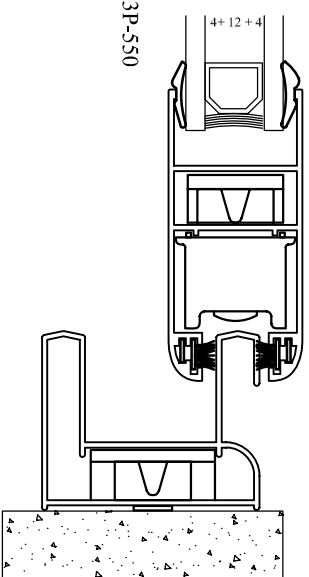
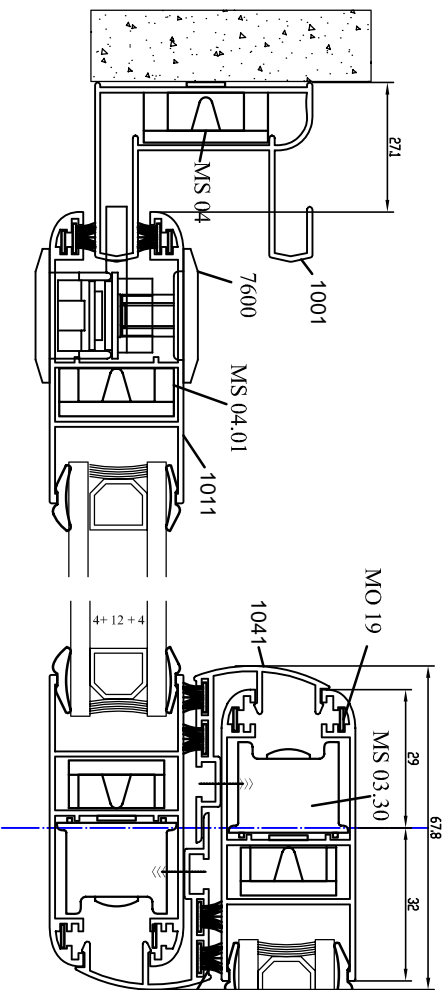


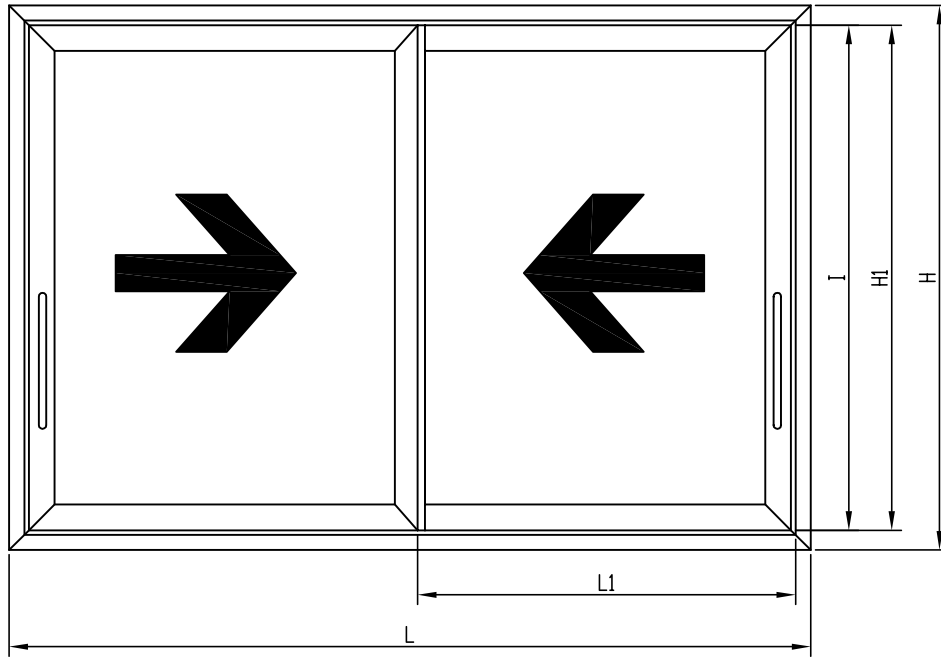


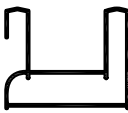
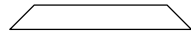

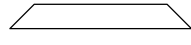

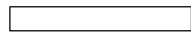
| PROFILE CODE | DRAWING | DESCRIPTION | CUTTING SIZES | ANGLE OF CUTTING | NUMBER |
|--------------|---|-----------------------|--------------------------|---|--------|
| 1001 |  | FRAME PROFILE | L |  | 2 |
| | | | H | | 2 |
| 1011 |  | SASH PROFILE | $A1 = L/2 + 1.9$ |  | 4 |
| | | | $A2 = H - 27.1 \times 2$ | | 4 |
| 1041 |  | ADAPTOR PROFILE | $B1 = H - 27.1 \times 2$ |  | 2 |
| 1031 |  | MOSQUITO PROFILE | $C1 = L/2 - 1.2$ |  | 2 |
| | | | $C2 = H - 2 \times 33.2$ | | 2 |
| 1051 |  | DROP DEFENDER PROFILE | $D1 = L - 1.8$ |  | 2 |
| | | | $D2 = L - 1.8$ | | 2 |



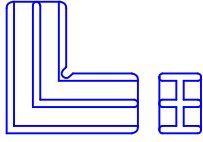

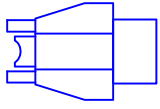
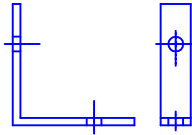
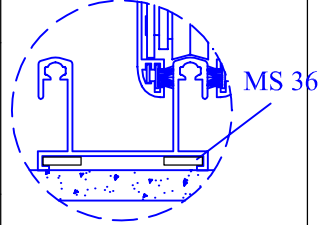

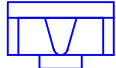
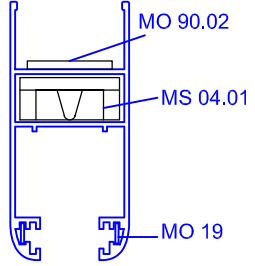

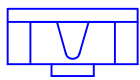
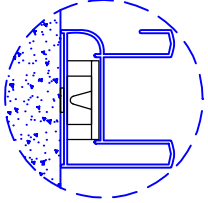
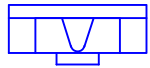
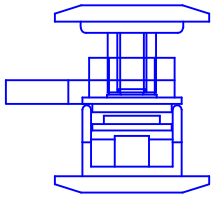
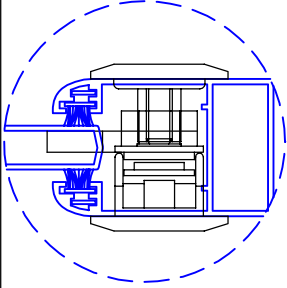
| CODE | PIECE | DESCRIPTION |
|------------|------------------------|--------------------------|
| MS 04 | 4 piece | CORNER CLEATS |
| MO 41 | 8 piece | CORNER CLEATS |
| MS 03.30 | 8 piece | STOPPER |
| 7600 M | 2 set | SET LOCKING CUP + HANDLE |
| MO 19 | 16 piece | CORNER CLEATS |
| PB7-3P-650 | L= L1 x 8 H= H1 x 8 | GASKET |
| P2 | L= L1 x 4 H= H1 x 4 | GASKET |
| P3 | L= L1 x 4 H= H1 x 4 | GASKET |
| MO 90.02 | 8 piece | WEDGES |
| MS 07 | 8 piece | CENTRAL FILLUNG PLUG |
| MS 18 | 8 piece x 20 mm | CENTRAL FILLUNG PLUG |
| X 812 | 2 piece | HANDLE |

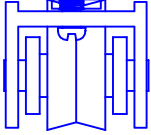
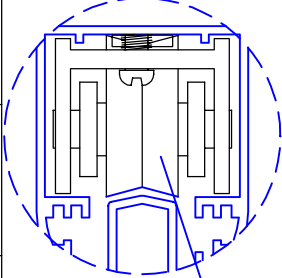
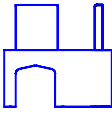
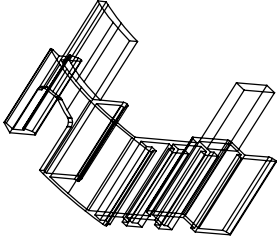




| PROFILE CODE | DRAWING | DESCRIPTION | CUTTING SIZES | ANGLE OF CUTTING | NUMBER |
|--------------|---|-----------------|--------------------------|---|--------|
| 1001 |  | FRAME PROFILE | L |  | 2 |
| | | | H | | 2 |
| 1011 |  | SASH PROFILE | $L1 = L/2 + 1.9$ |  | 4 |
| | | | $H1 = H - 27.1 \times 2$ | | 4 |
| 1041 |  | ADAPTOR PROFILE | $I = H - 27.1 \times 2$ |  | 2 |

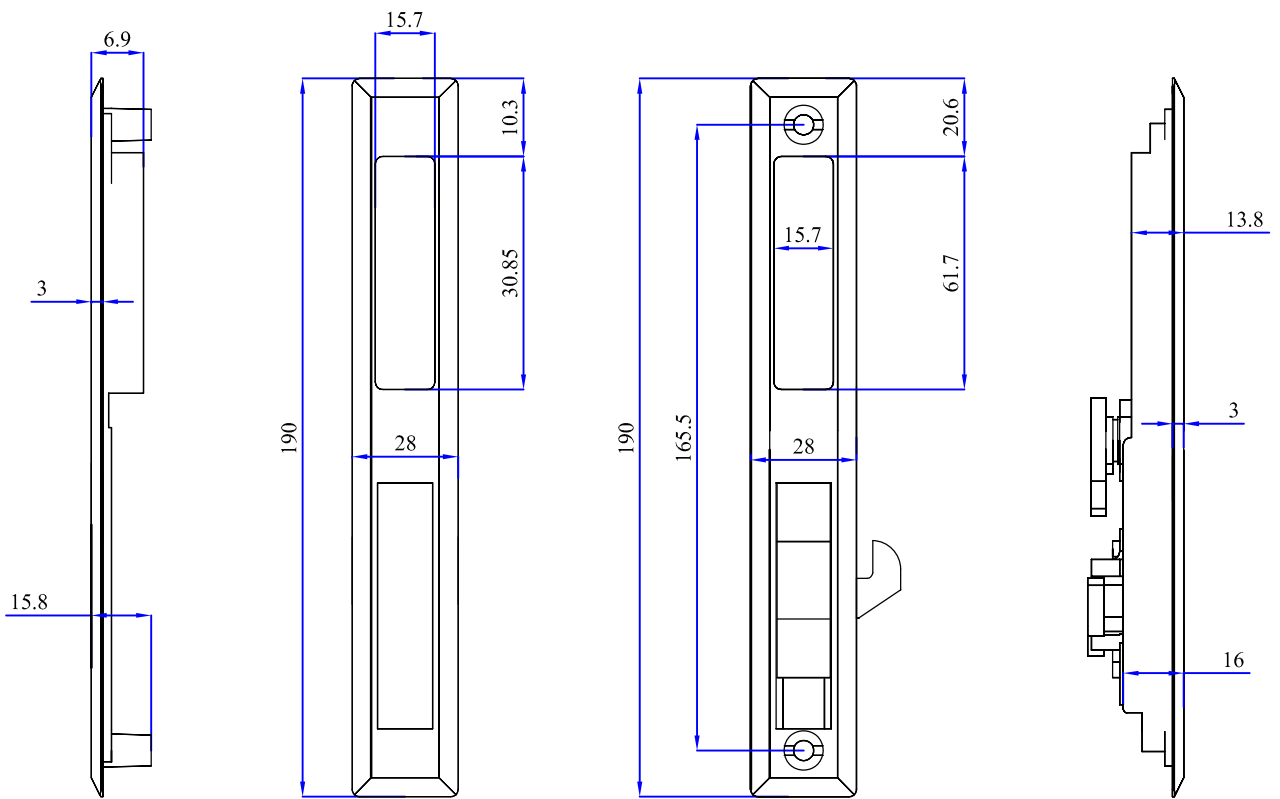
ACCESSORIES

| CODE | DRAWING | DESCRIPTION | PACKING TYPE | | |
|----------|---|----------------------|--------------|-------------|---|
| | | | | | |
| MS 13 |  | ANGLE FIT | 1 Package | 150 Counts |  |
| MS 20.00 |  | ROLLER | 1 Package | 300 Counts | |
| MS 36 |  | ANGLE FIT | 1 Package | Counts |  |
| MO 19 |  | ANGLE FIT | 1 Package | 1000 Counts | |
| MS 04.01 |  | ANGLE FIT | 1 Package | 250 Counts |  |
| MO 90.02 |  | GLASS PAD WEDGE | 1 Package | 1000 Counts | |
| MS 04 |  | ANGLE FIT | 1 Package | 250 Counts |  |
| MS 04.01 |  | ANGLE FIT | 1 Package | 250 Counts | |
| 7600 |  | LOCKING CUP + HANDLE | 1 Package | 30 Counts |  |

| CODE | DRAWING | DESCRIPTION | PACKING TYPE | | |
|----------|---|-------------|--------------|------------|--|
| MS 01.01 |  | ROLLER | 1 Package | 150 Counts |  |
| MS 903 |  | COVER | 1 Package | 300 Counts | |
| | | | | | MS 01.01 |
| | | | | |  |
| | | | | | |
| | | | | | MS 903 |
| | | | | | |
| | | | | | |
| | | | | | |
| | | | | | |
| | | | | | |
| | | | | | |

| |
|------|
| TYPE |
| 301 |

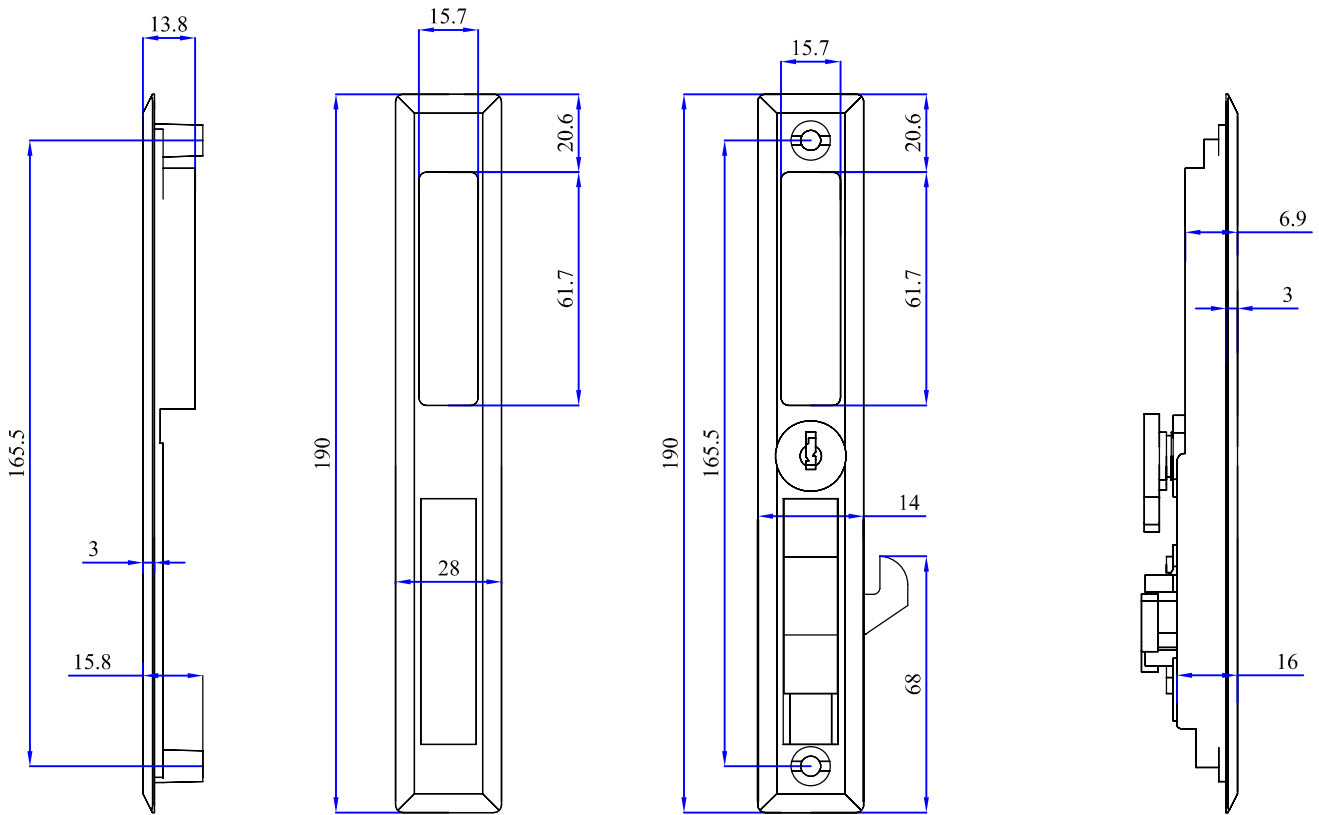
7600
 SET LOCKING CUP + HANDLE



SIZE : 1/2





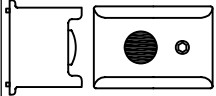
| |
|------|
| TYPE |
| 302 |

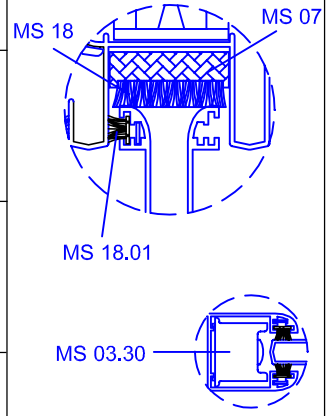
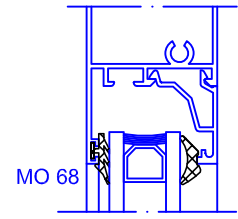
7700
 SET LOCKING CUP + HANDLE



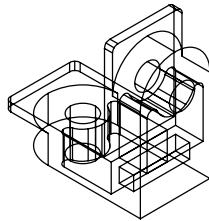
SIZE : 1/2

ACCESSORIES

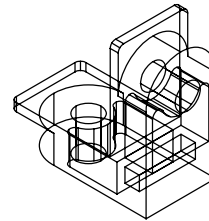
| CODE | DRAWING | DESCRIPTION | PACKING TYPE | |
|------------|---|--------------------|--------------|------------|
| | | | | |
| MO 68 |  | OUTER GLASS GASKET | 1 Package | 150 m |
| PB7-3P-550 |  | BRUSH | - | m |
| MS 07 |  | BRUSH | 1 Package | 200 Counts |
| MS 18 |  | BRUSH | - | m |
| MS 03.30 |  | STOPPER | 1 Package | 640 Counts |
| | | | | |
| | | | | |
| | | | | |
| | | | | |
| | | | | |
| | | | | |
| | | | | |
| | | | | |
| | | | | |
| | | | | |
| | | | | |
| | | | | |
| | | | | |



| JOINTING | | |
|----------|----------|--------------------|
| PROFILE | CODE | DIMENSIONS (mm) |
| 1001 | MS 04 | 10,40 x 26,10 |
| 1011 | MS 04.01 | 10,50 x 24 |
| 1013 | | |
| 1012 | | |



MS 04



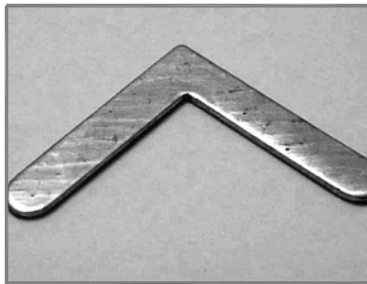
MS 04.01



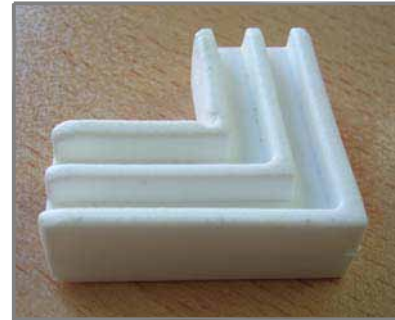
MS 04



MS 04.01



MO 19



MS 13



MS 36



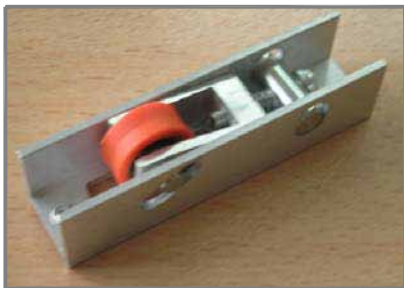
MS 03.30



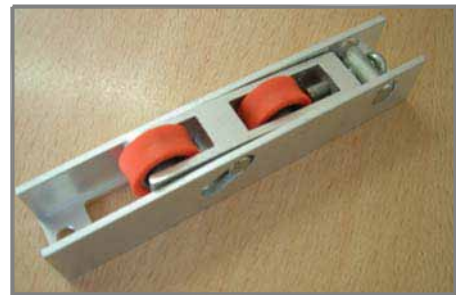
MS 18



MS 07



MS 01.01



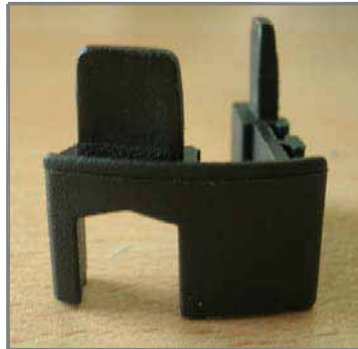
MS 02.04



MS 20



7600



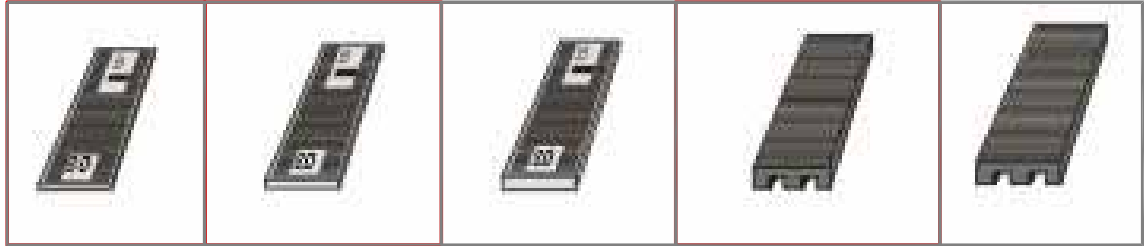
MS 903



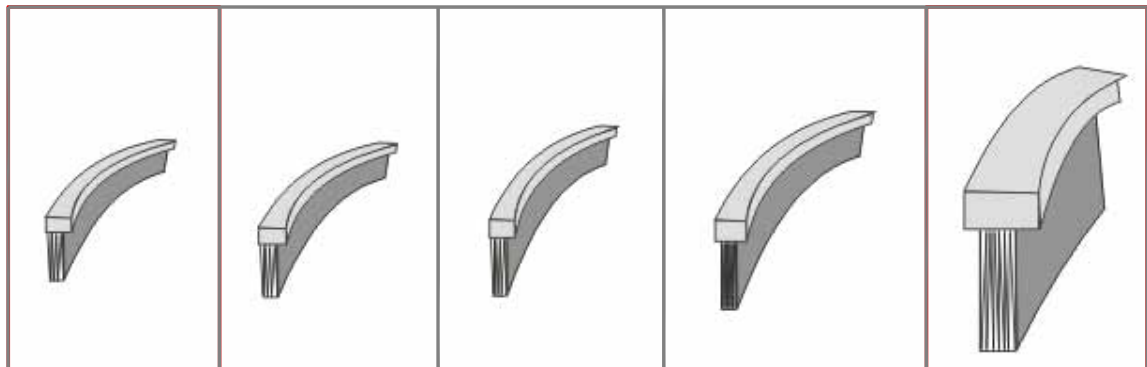
MS 10



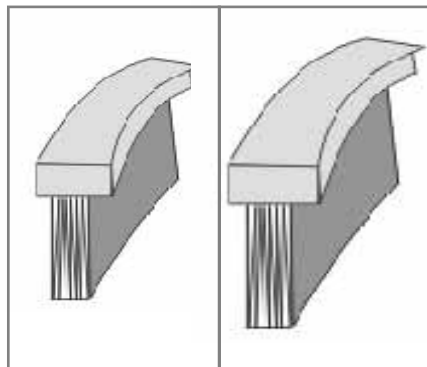
MS 11



MO 90.02 MO 90.3 MO 90.4 MO 90.5 MO 90.7



PB-550 PB-600 PB-700 PB-800 PB-1000



PB-1200 PB-1800

